

PS Series

Medium capacities pump with integrated single or three phase motor. It is aimed at OEM, fertigation, ice machines, food equipment wa testing...

Construction materials: Polypropylene, PVDF or ETFE

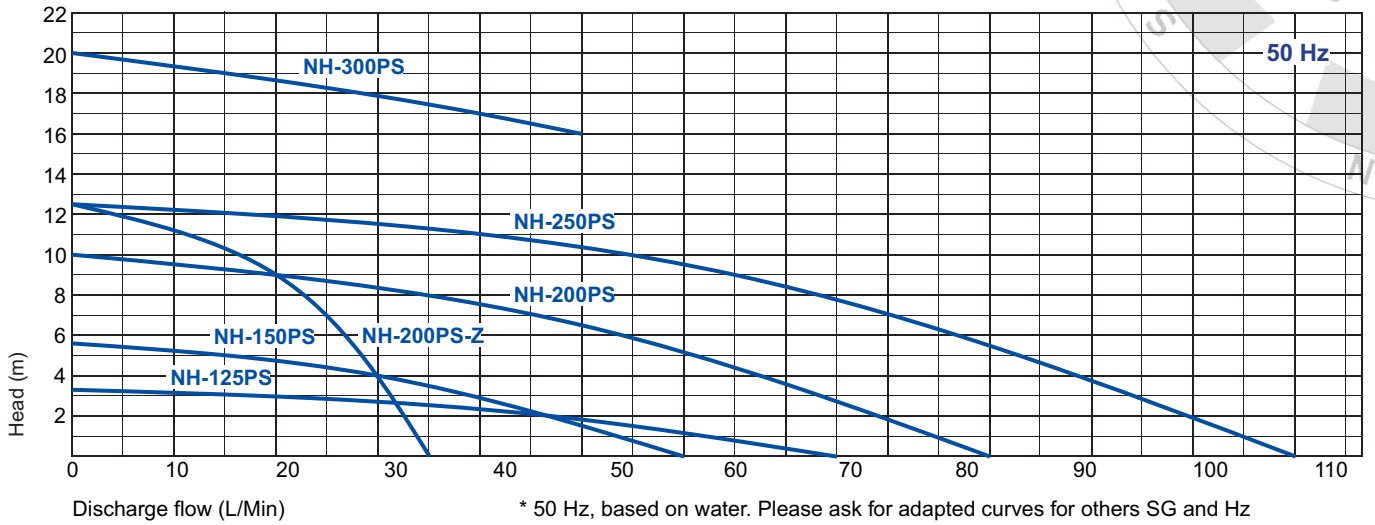
Fittings: Threaded NPT/BSP, hose spigot, DIN Flanges

Flow rate up to 8 m³/h and height up to 20 m.C.I.

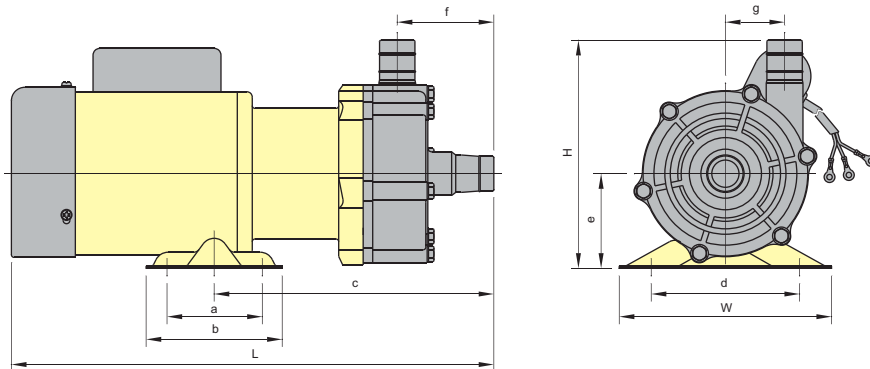


Nominal speed : 2,700 r.p.m

Pump performance curve



Installation dimensions



(mm)

Model	W	H	L	a	b	c	d	e	f	g
NH-125PS	120	134.5	255	43	62	175	89	59.5	50	26
NH-150PS	120	164	300	40	64	199	100	66	70	43.5
NH-200PS	156	165	355	70	100	205	110	66	70	43.5
NH-200PS-Z	156	165	355	70	100	205	110	66	70	43.5
NH-250PS	156	165	365	70	100	195	110	66	70	43.5
NH-300PS	156	175	385	80	110	200	140	75	55	59