

MC-2R

Magnetically Driven

Multi-stage Centrifugal

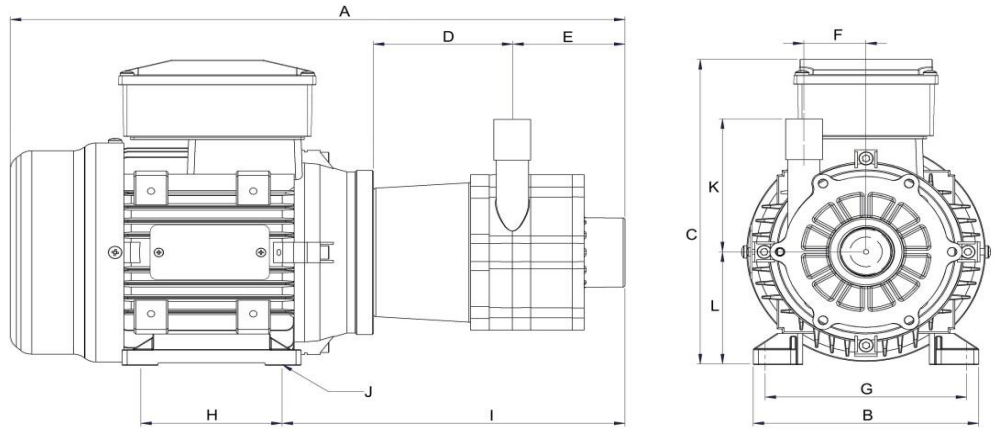
* Not to scale.
Specifications are subject to change.
Dimensions may change depending on motor specified

Wetted materials

Pump housing	Ryton
Impeller	Ryton
Spindle	Ceramic
Thrust Washer	Ceramic
O Ring	Nitrile

Limitations

Max. temp	93 °C
Max. pressure	6 bar



Dimensions

all dimensions in mm	A	B	C	D	E	F	G	H	I	J	K	L	Inlet	Outlet
CIMA 250	316.40	107.00	160.00	81.50	65.90	40.30	91.00	72.00	181.40	9 x 6	85.00	56.00	1" BSP F	*
TEC 230V 50/60Hz	359.40	131.00	186.00	81.50	65.90	40.30	112.00	91.00	192.40	10 x 6	85.00	71.00	1" BSP F	*

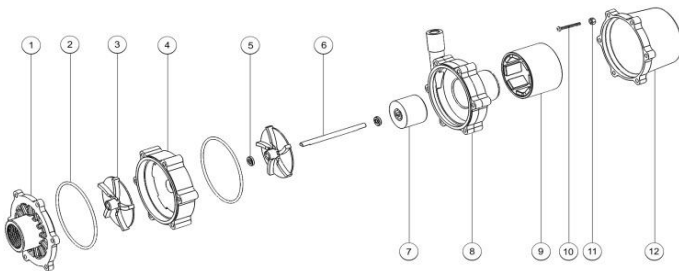
* Outlet can be either 1/2" BSP Male or 21mm barbed male.

Motor Data

	Code	Frame	Mounting	IP	Phase	rpm	50 Hz Kw	50 Hz Amps	60 Hz rpm	60 Hz Kw	60 Hz Amps	Approvals	Total kg
CIMA 250		56	B34	55	1	2900	0.18	2.1	3400	0.25	2.1	CE*	4.7
TEC 230V 50/60Hz		71	B34	55	1	2900	0.37	1.67	3400	0.44	1.67	CE	5.7

* Manufactured from UL listed components

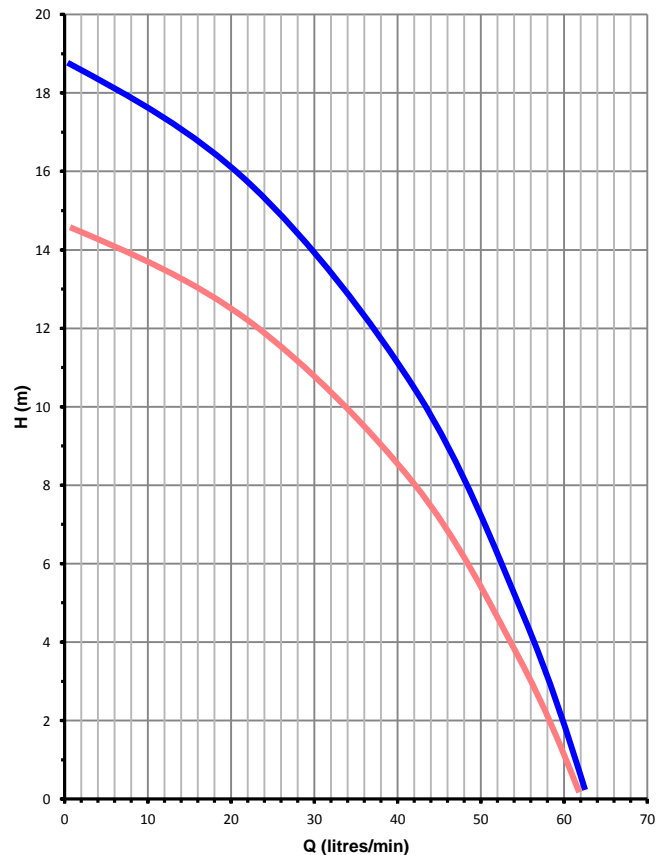
Parts List



Item	Description	Qty	Code
1	Front Cover PPS BSP	1	5028-110-09
2	Nitrile O Ring	2	5020-122-30
3	Impeller PPS	2	5028-130-09
4	Stage Housing PPS	1	5028-150-09
5	Ceramic Thrust Washer	2	0130-028-UK
6	Stainless Steel Spindle 96mm	1	5028-232-51
7	Impeller Magnet	1	5021-191-08
8	Pump Housing PPS	1	5028-141-09
9	Drive Magnet High Torque Nb x 5 (for 50 Hz)	1	5021-208-56/11
	Drive Magnet High Torque Nb x 8 (for 60 Hz)		5021-208-56/14
10	Screw M5x75 Pan	6	5021-212-50
11	Full Nut M5	6	5021-180-50
12	Motor Bracket	1	5020-170-01

Performance

Tests obtained with water 1.0 SG



50 Hz 2900 rpm

60 Hz 3400 rpm



March May Ltd, Howard Road, Eaton Socon, St Neots, PE19 8NZ, UK

Tel: +44 (0) 1480 214444 Fax: +44 (0) 1480 405336 E-Mail: sales@marchmay.co.uk Website: www.marchmay.co.uk