

# MC-4R

Magnetically Driven

Multi-stage Centrifugal

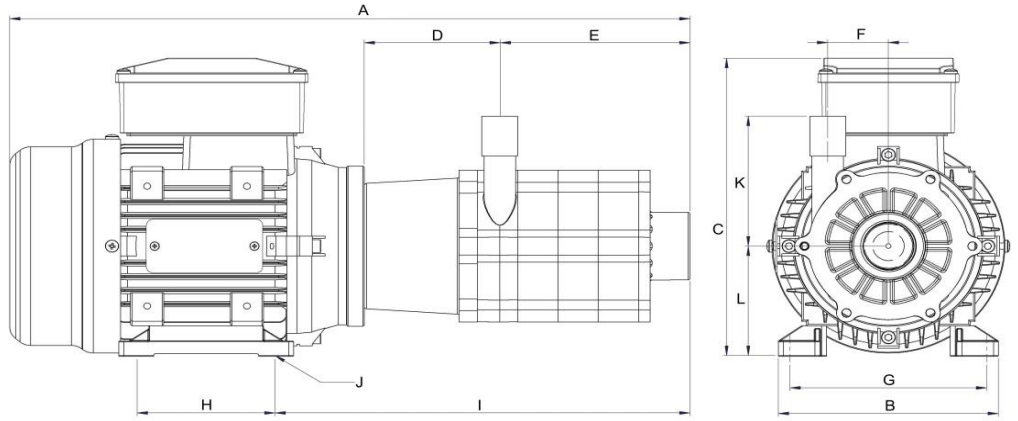
\* Not to scale.  
Specifications are subject to change.  
Dimensions may change depending on motor specified

### Wetted materials

Pump housing	Ryton
Impeller	Ryton
Spindle	Stainless Steel
Thrust Washer	Ceramic
O Ring	Nitrile

### Limitations

Max. temp	93 °C
Max. pressure	6.0 bar



### Dimensions

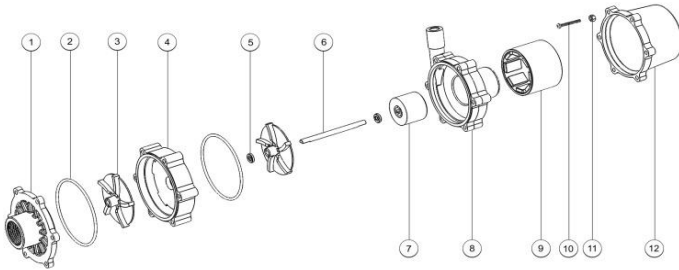
all dimensions in mm	A	B	C	D	E	F	G	H	I	J	K	L	Inlet	Outlet
TEC 230V 50Hz	405.80	133.00	184.00	81.50	114.30	40.30	113.00	91.00	240.80	10 x 6	85.00	71.00	1" BSP F	*
TEC 230V 50/60Hz	420.80	133.00	184.00	81.50	114.30	40.30	113.00	91.00	240.80	12 x 7	85.00	71.00	1" BSP F	*

\* Outlet can be either 1/2" BSP Male or 21mm barbed male.

### Motor Data

	Code	Frame	Mounting	IP	Phase	rpm	50 Hz		60 Hz		Approvals	Total kg	
							Kw	Amps	rpm	Kw	Amps		
TEC 230V 50Hz		71	B3	55	1	2900	0.55	3.49	-	-	-	CE	7.8
TEC 230V 50/60Hz		71	B4	56	1	2900	0.75	3.18	3400	0.9	3.18	CE	8.1

### Parts List

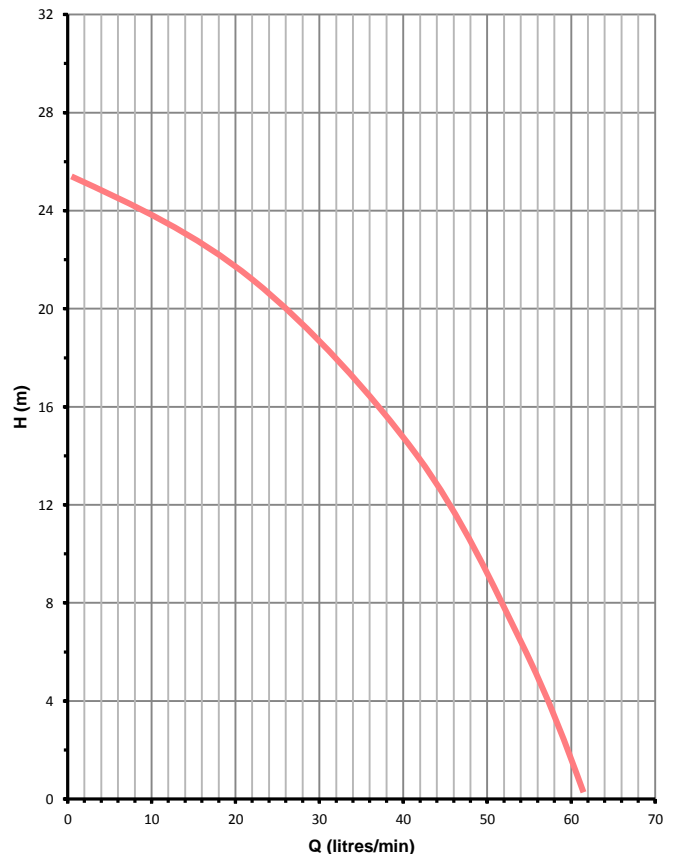


N.B. Parts diagram shows 2 stage pump

Item	Description	Qty	Code
1	Front Cover PPS BSP	1	5028-110-09
2	Nitrile O Ring	4	5020-122-30
3	Impeller PPS (Full Size 75mm)	4	5028-130-09
4	Stage Housing PPS	3	5028-150-09
5	Ceramic Thrust Washer	2	0130-028-UK
6	Stainless Steel Spindle	1	5028-234-51
7	Impeller Magnet PPS	1	5021-191-08
8	Pump Housing PPS BSP	1	5028-141-09
9	Drive Magnet High Torque Nb x 8	1	5028-209-56/14
10	Screw M5x Pan	6	
11	Full Nut M5	6	5021-180-50
12	Motor Bracket PP	1	5020-170-01

### Performance

Tests obtained with water 1.0 SG



50 Hz 2900 rpm

