

# MC-5P

Magnetically Driven

Multi-stage Centrifugal

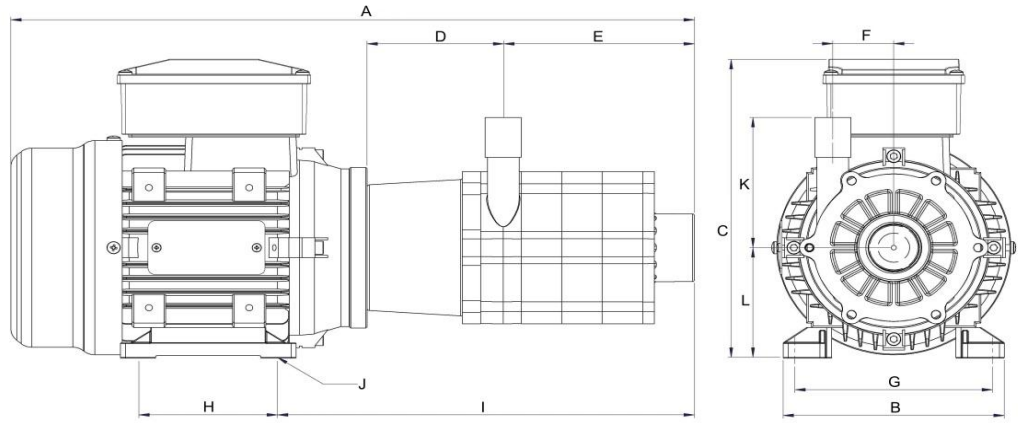
\* Not to scale.  
Specifications are subject to change.  
Dimensions may change depending on motor specified

### Wetted materials

Pump housing	Polypropylene
Impeller	Polypropylene
Spindle	Stainless Steel
Thrust Washer	Ceramic
O Ring	Nitrile

### Limitations

Max. temp	88 °C
Max. pressure	3 bar



### Dimensions

all dimensions in mm

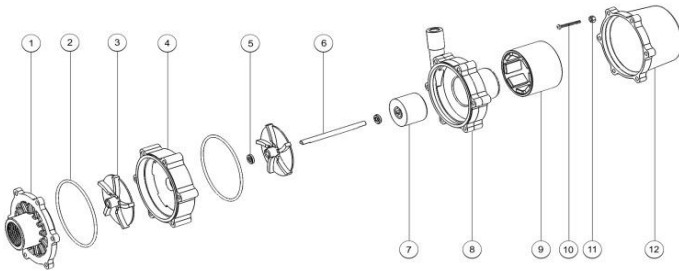
	A	B	C	D	E	F	G	H	I	J	K	L	Inlet	Outlet
TEC 230V 50Hz	430.00	133.00	184.00	81.50	138.50	40.30	113.00	91.00	265.00	10 x 6	85.00	71.00	1" BSP F	*
TEC 230V 50/60Hz	445.00	133.00	184.00	81.50	138.50	40.30	113.00	91.00	265.00	12 x 7	85.00	71.00	1" BSP F	*
Weg 400V 50/60Hz	438.00	133.00	184.00	81.50	138.50	40.30	113.00	91.00	265.00	10 x 6	85.00	71.00	1" BSP F	*

\* Outlet can be either 1/2" BSP Male or 21mm barbed male.

### Motor Data

	Code	Frame	Mounting	IP	Phase	rpm	50 Hz			60 Hz			Approvals	Total kg
							Kw	Amps		rpm	Kw	Amps		
TEC 230V 50Hz		71	B34	55	1	2900	0.75	3.18					CE	8.1
TEC 400V 50Hz		71	B34	55	3	2900	0.75	3.18	3400	0.90	1.75		CE	8.1
Weg 400V 50/60Hz		71	B34	55	3	2900	0.75	3.18	3400	0.90	1.75		CE/UL	8.5

### Parts List

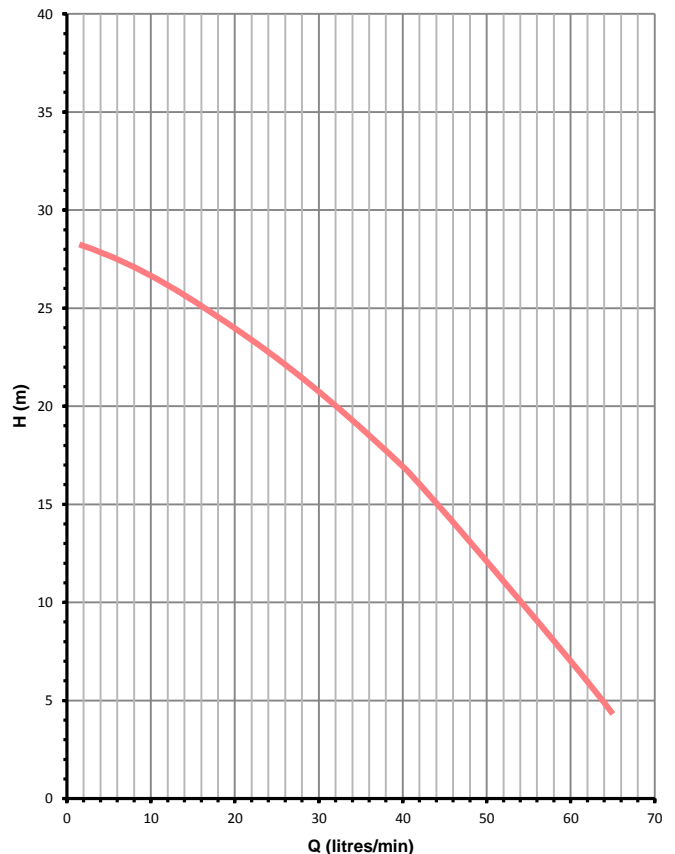


N.B. Parts diagram shows 2 stage pump

Item	Description	Qty	Code
1	Front Cover PP BSP	1	5028-110-01
2	Nitrile O Ring	5	5020-122-30
3	Impeller PP (Full Size 75mm)	5	5028-130-01
4	Stage Housing PP	4	5028-150-01
5	Ceramic Thrust Washer	2	0130-028-UK
6	Stainless Steel Spindle	1	5021-234-51
7	Impeller Magnet PPS	1	5021-191-08
8	Pump Housing PP BSP	1	5028-141-01
9	Drive Magnet High Torque Nb x 8	1	5028-209-56/14
10	Screw M5x Pan	6	
11	Full Nut M5	6	5021-180-50
12	Motor Bracket PP	1	5020-170-01

### Performance

Tests obtained with water 1.0 SG



50 Hz 2900 rpm



March May Ltd, Howard Road, Eaton Socon, St Neots, PE19 8NZ, UK

Tel: +44 (0) 1480 214444 Fax: +44 (0) 1480 405336 E-Mail: sales@marchmay.co.uk Website: www.marchmay.co.uk