

EMD-5 BLDC

Magnetically Driven

Single-stage Centrifugal

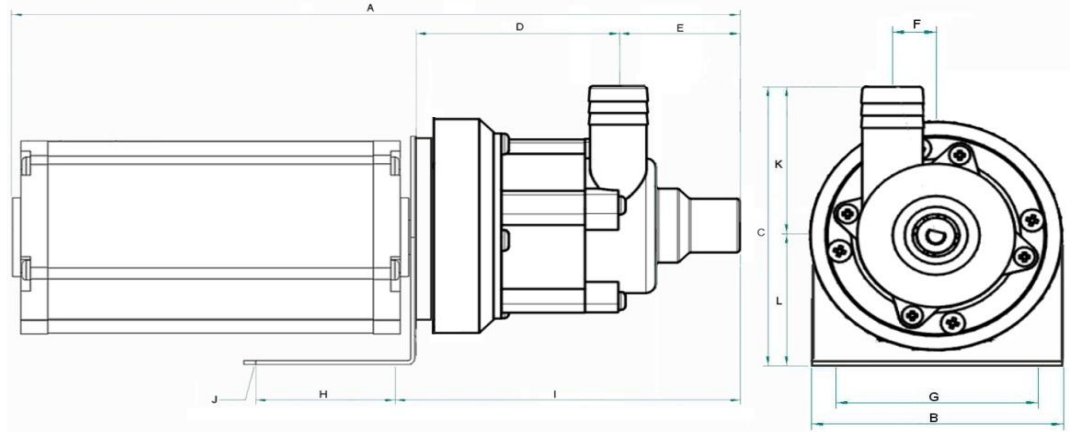
* Not to scale.
Specifications are subject to change.
Dimensions may change depending on motor specified

Wetted materials

Pump housing	Polypropylene
Impeller	Polypropylene
Spindle	Ceramic
Thrust Washer	Ceramic
O Ring	Viton / Nitrile

Limitations

Max. temp	88 °C
Max. pressure	3.0 bar



Dimensions

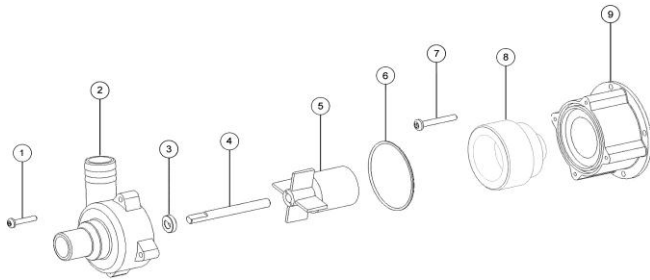
all dimensions in mm	A	B	C	D	E	F	G	H	I	J	K	L	Inlet	Outlet
12V DC BL	203.00	82.00	91.50	68.00	43.00	14.50	72.00	45.00	124.50	4 x Ø 7.00	54.00	37.50	*	*
24V DC BL	203.00	82.00	91.50	68.00	43.00	14.50	72.00	45.00	124.50	4 x Ø 7.00	54.00	37.50	*	*

* Ports can be either 1/2" BSP Male or 3/4" barbed male.

Motor Data

	Code	Frame	Mounting	IP	Phase	rpm	50 Hz Kw	50 Hz Amps	60 Hz rpm	60 Hz Kw	60 Hz Amps	Approvals	Total kg
12V DC BL	BG 65x25 Ki	-	-	55	1	3100	0.15	8.0	-	-	-	CE / UL	3.5
24V DC BL	BG 65x25 Ki	-	-	55	1	3100	0.15	4.0	-	-	-	CE / UL	3.5

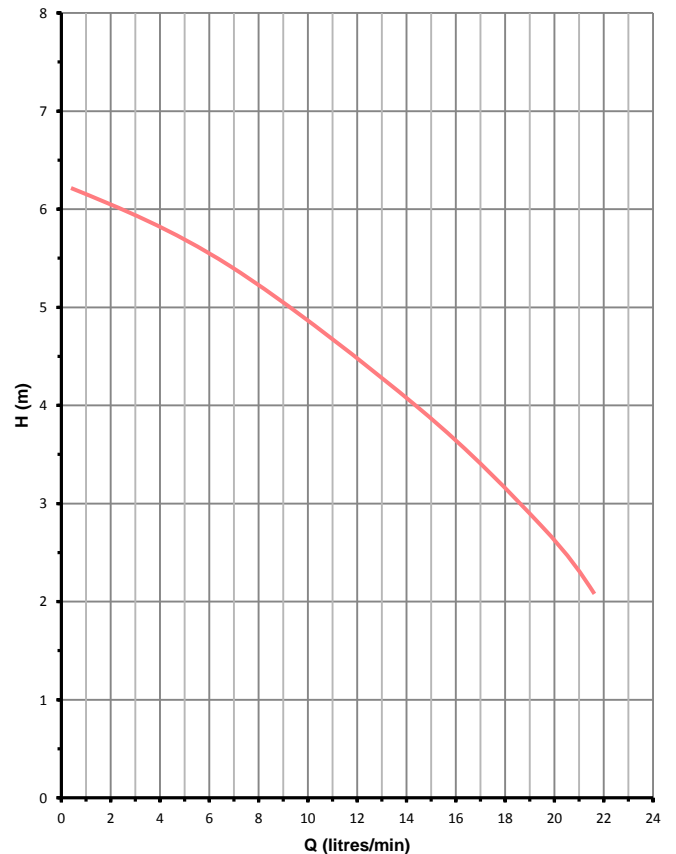
Parts List



Item	Description	Qty	Code
1	PUMP HOUSING SCREW No6 x 3/4"	4	5002-210-50
2	PUMP HOUSING PLAIN PP	1	5002-140-01
	PUMP HOUSING THREADED	1	5002-141-01
3	CERAMIC THRUST WASHER	1	0130-028-UK
4	CERAMIC SPINDLE	1	0130-024-UK
5	IMPELLER ASSEMBLY	1	5002-135-01
6	NITRILE 'O' RING	1	5002-120-30
	VITON 'O' RING	1	5002-120-31
7	MOTOR SCREW M4 x 30 SS	4	5022-221-50
8	DRIVE MAGNET ASSY FERRITE/PPS	1	5002-200-01
9	REAR HOUSING PP	1	5002-250-01

Performance

Tests obtained with water 1.0 SG



3100 rpm



March May Ltd, Howard Road, Eaton Socon, St Neots, PE19 8NZ, UK

Tel: +44 (0) 1480 214444 Fax: +44 (0) 1480 405336 E-Mail: sales@marchmay.co.uk Website: www.marchmay.co.uk