

# EMD-5

Magnetically Driven

Single-stage Centrifugal

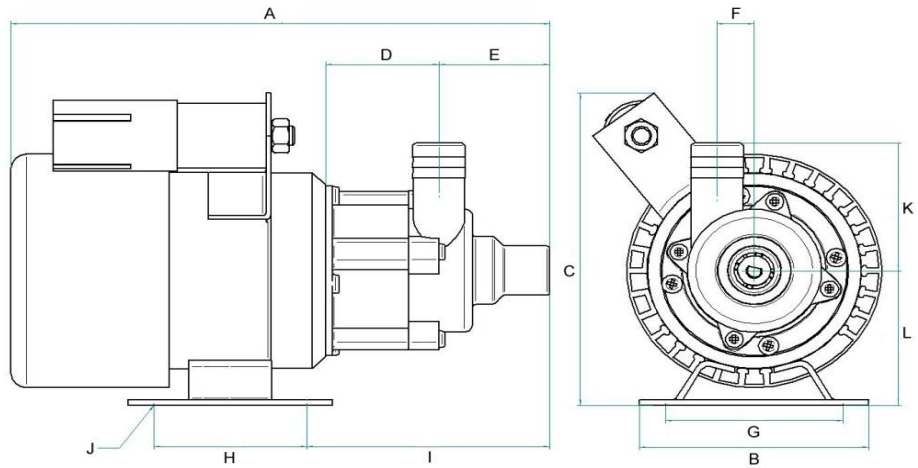
\* Not to scale.  
Specifications are subject to change.  
Dimensions may change depending on motor specified

### Wetted materials

|               |                 |
|---------------|-----------------|
| Pump housing  | Polypropylene   |
| Impeller      | Polypropylene   |
| Spindle       | Ceramic         |
| Thrust Washer | Ceramic         |
| O Ring        | Viton / Nitrile |

### Limitations

|               |         |
|---------------|---------|
| Max. temp     | 88 °C   |
| Max. pressure | 3.4 bar |



### Dimensions

| all dimensions in mm | A      | B     | C      | D     | E     | F     | G     | H     | I     | J      | K     | L     | Inlet | Outlet |
|----------------------|--------|-------|--------|-------|-------|-------|-------|-------|-------|--------|-------|-------|-------|--------|
| 50 Hz 230V           | 205.00 | 89.00 | 140.00 | 65.00 | 43.00 | 14.40 | 67.50 | 60.20 | 94.00 | 12 x 8 | 54.00 | 56.00 | *     | *      |
| 50/60 Hz 230V        | 216.00 | 89.00 | 140.00 | 65.00 | 43.00 | 14.40 | 67.50 | 60.20 | 94.00 | 12 x 8 | 54.00 | 56.00 |       |        |
| 50 Hz 230V SP        | 205.00 | 89.00 | 140.00 | 65.00 | 43.00 | 14.40 | 67.50 | 60.20 | 94.00 | 12 x 8 | 54.00 | 56.00 |       |        |
| 50/60 Hz 110V        | 211.00 | 89.00 | 140.00 | 65.00 | 43.00 | 14.40 | 67.50 | 60.20 | 94.00 | 12 x 8 | 54.00 | 56.00 |       |        |

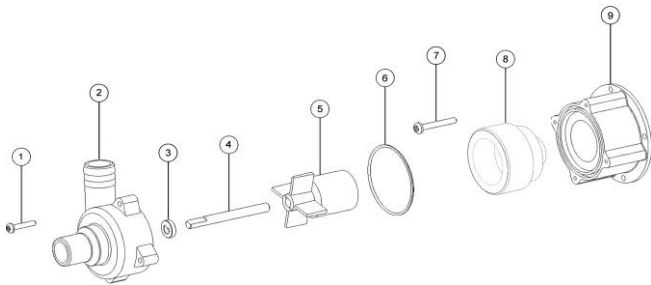
\* The are two inlet and outlet options for this pump : 1/2" BSP or 3/4" barbed push fit.

### Motor Data

|               | Code     | Frame | Mounting | IP | Phase | rpm  | 50 Hz Kw | 50 Hz Amps | 60 Hz rpm | 60 Hz Kw | 60 Hz Amps | Approvals  | Total kg |
|---------------|----------|-------|----------|----|-------|------|----------|------------|-----------|----------|------------|------------|----------|
| 50 Hz 230V    | AF1D6288 | 56    | B34      | 44 | 1     | 2900 | 0.03     | 0.7        | -         | -        | -          | CE         | 2.1      |
| 50/60 Hz 230V | AF1D6289 | 56    | B34      | 44 | 1     | 2900 | 0.07     | 0.7        | 3400      | 0.07     | 0.75       | CE UL CSA* | 2.1      |
| 50 Hz 230V SP | AB1P6898 | 56    | B34      | 0  | 1     | 2900 | 0.03     | 0.65       | -         | -        | -          | CE         | 1.7      |
| 50/60 Hz 110V | AFD17037 | 56    | B34      | 44 | 1     | 2900 | 0.03     | 1.4        | 3400      | 0.03     | 1.5        | CE UL CSA* | 2.1      |

\* Manufacturer's UL Number - E46412 and CSA Number - CSA154595

### Parts List



| Item | Description                   | Qty | Code        |
|------|-------------------------------|-----|-------------|
| 1    | PUMP HOUSING SCREW No6 x 3/4" | 4   | 5002-210-50 |
| 2    | PUMP HOUSING PLAIN PP         | 1   | 5002-140-01 |
|      | PUMP HOUSING THREADED         | 1   | 5002-141-01 |
| 3    | CERAMIC THRUST WASHER         | 1   | 0130-028-UK |
| 4    | CERAMIC SPINDLE               | 1   | 0130-024-UK |
| 5    | IMPELLER ASSEMBLY             | 1   | 5002-135-01 |
| 6    | NITRILE 'O' RING              | 1   | 5002-120-30 |
|      | VITON 'O' RING                | 1   | 5002-120-31 |
| 7    | MOTOR SCREW M4 x 30 SS        | 4   | 5022-221-50 |
| 8    | DRIVE MAGNET ASSY FERRITE/PPS | 1   | 5002-200-01 |
| 9    | REAR HOUSING PP               | 1   | 5002-250-01 |

### Performance

Tests obtained with water 1.0 SG

