

# HTP-A

Magnetically Driven

Single-stage Regenerative Turbine

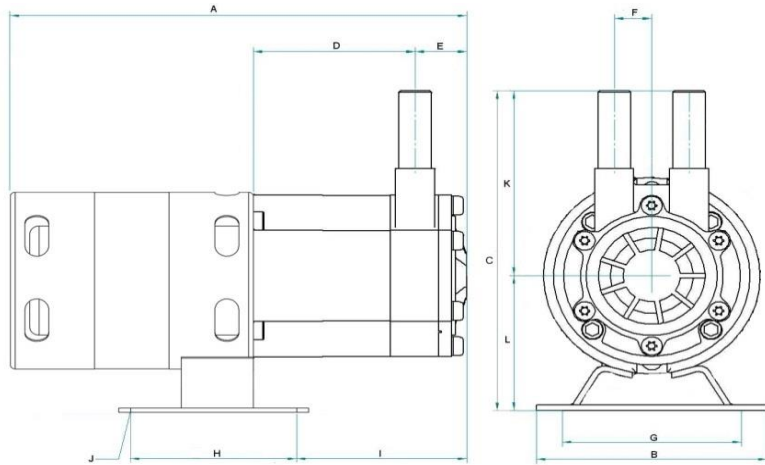
\* Not to scale.  
Specifications are subject to change.  
Dimensions may change depending on motor specified

### Wetted materials

|               |                             |
|---------------|-----------------------------|
| Pump housing  | PPS                         |
| Impeller      | PPS                         |
| Spindle       | Stainless steel             |
| Thrust Washer | Ceramic                     |
| O Ring        | Nitrile/EPDM/<br>Viton/PTFE |

### Limitations

|               |        |
|---------------|--------|
| Max. temp     | 100 °C |
| Max. pressure | 7 bar  |



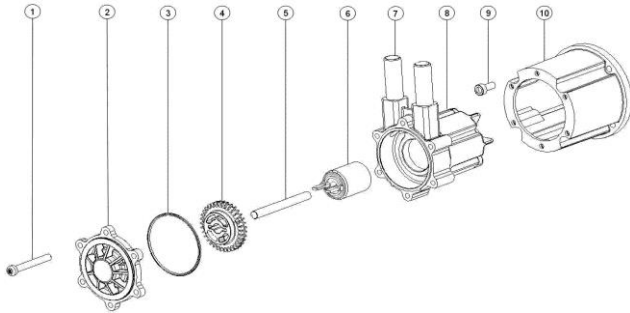
### Dimensions

| all dimensions in mm | A      | B     | C      | D     | E     | F     | G     | H     | I     | J     | K     | L     | Inlet | Outlet |
|----------------------|--------|-------|--------|-------|-------|-------|-------|-------|-------|-------|-------|-------|-------|--------|
| 50 Hz SP 230V        | 191.00 | 89.00 | 140.00 | 68.00 | 20.00 | 14.50 | 67.50 | 60.20 | 74.00 | 11.00 | 79.00 | 56.00 | 1/2"  | 1/2"   |

### Motor Data

|               | Code      | Frame | Mounting | IP | Phase | rpm  | 50 Hz Kw | 50 Hz Amps | 60 Hz rpm | 60 Hz Kw | 60 Hz Amps | Approvals | Total kg |
|---------------|-----------|-------|----------|----|-------|------|----------|------------|-----------|----------|------------|-----------|----------|
| 50 Hz SP 230V | ABIP6898K | 56    | B34      | 0  | 1     | 2900 | 0.03     | 0.65       | -         | -        | -          | CE        | 1.7      |

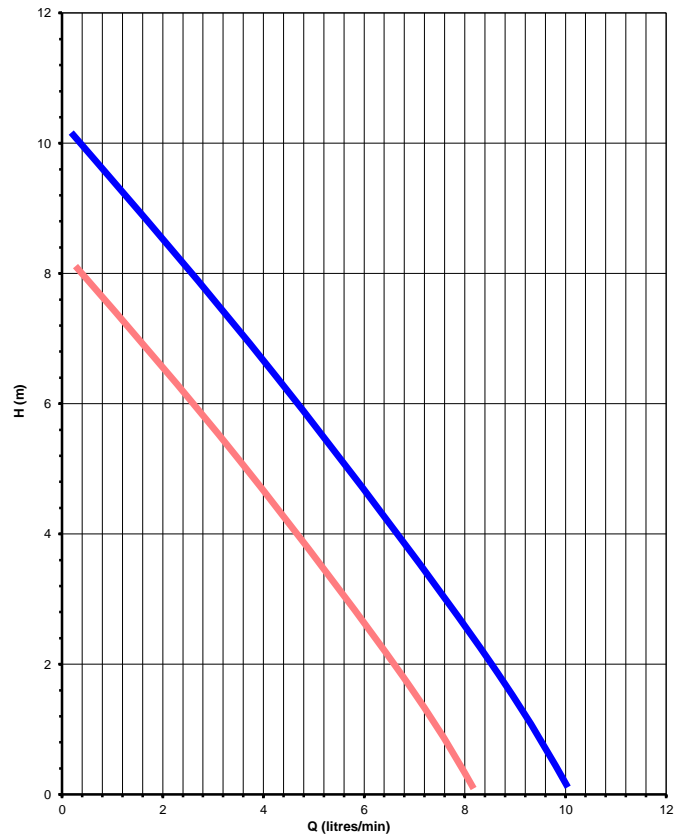
### Parts List



| Item | Description          | Qty | Code           |
|------|----------------------|-----|----------------|
| 1    | HOUSING SCREW ST/ST  | 6   | 5022-2101-50   |
| 2    | FRONT COVER PPS      | 1   | 5025-110-09    |
| 3    | O RING NITRILE       | 1   | 5002-120-30    |
| 4    | TURBINE PPS          | 1   | 5025-131-14    |
| 5    | SPINDLE ST/ST        | 1   | 5025-100-51    |
| 6    | IMPELLER MAGNET      | 1   | 5025-191-08    |
| 7    | PUMP HOUSING PPS     | 1   | 5025-141-09    |
| 8    | DRIVE MAGNET         | 1   | 5025-203-00    |
| 9    | BRACKET FIXING SCREW | 4   | 5090-512-50CAP |
| 10   | MOTOR BRACKET        | 1   | 5025-170-01    |

### Performance

Tests obtained with water 1.0 SG



50 Hz 2900 rpm      60 Hz 3400 rpm

