

HTP-C

Magnetically Driven

Single-stage Regenerative Turbine

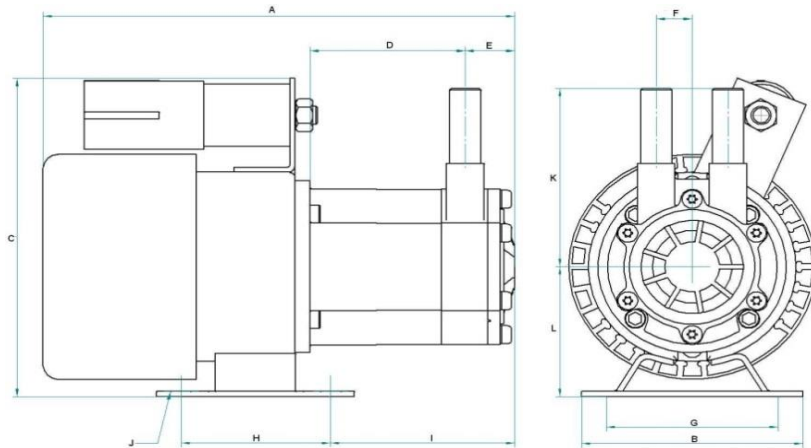
* Not to scale.
Specifications are subject to change.
Dimensions may change depending on motor specified

Wetted materials

Pump housing	PPS
Impeller	PPS
Spindle	Stainless steel
Thrust Washer	Ceramic
O Ring	Nitrile/EPDM/ Viton/PTFE

Limitations

Max. temp	100 °C
Max. pressure	7 bar



Dimensions

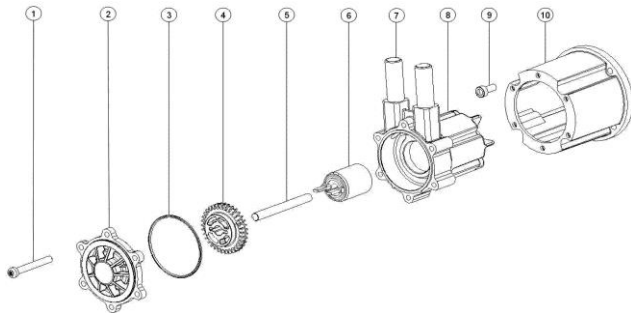
all dimensions in mm	A	B	C	D	E	F	G	H	I	J	K	L	Inlet	Outlet
50/60 Hz 230V	209.00	89.00	140.00	68.00	20.00	14.50	67.50	60.20	74.00	11.00	79.00	56.00	1/2"	1/2"
Rotomatika 50Hz	206.00	89.00	140.00	68.00	20.00	14.50	67.50	60.20	74.00	11.00	79.00	56.00	1/2"	1/2"

Motor Data

Code	Frame	Mounting	IP	Phase	rpm	50 Hz		60 Hz		Approvals	Total kg		
						Kw	Amps	rpm	Kw			Amps	
50/60 Hz 230V	AFIH6457	56	B34	44	1	2900	0.07	0.75	3400	0.09	0.81	CE UL CSA*	2.1
Rotomatika 50Hz	MotEMK4330/2-31ca	56	B35	44	1	2900	0.04	0.7	-	-	-	CE	2.0

*Manufacturer's UL Number - E46412 and CSA Number - CSA154595

Parts List



Item	Description	Qty	Code
1	HOUSING SCREW ST/ST	6	5022-2101-50
2	FRONT COVER PPS	1	5025-110-09
3	O RING NITRILE	1	5002-120-30
4	TURBINE PPS	1	5025-131-14
5	SPINDLE ST/ST	1	5025-100-51
6	IMPELLER MAGNET	1	5025-191-08
7	PUMP HOUSING PPS	1	5025-141-09
8	DRIVE MAGNET	1	5025-203-00
9	BRACKET FIXING SCREW	4	5090-512-50CAP
10	MOTOR BRACKET	1	5025-170-01

Performance

Tests obtained with water 1.0 SG

