



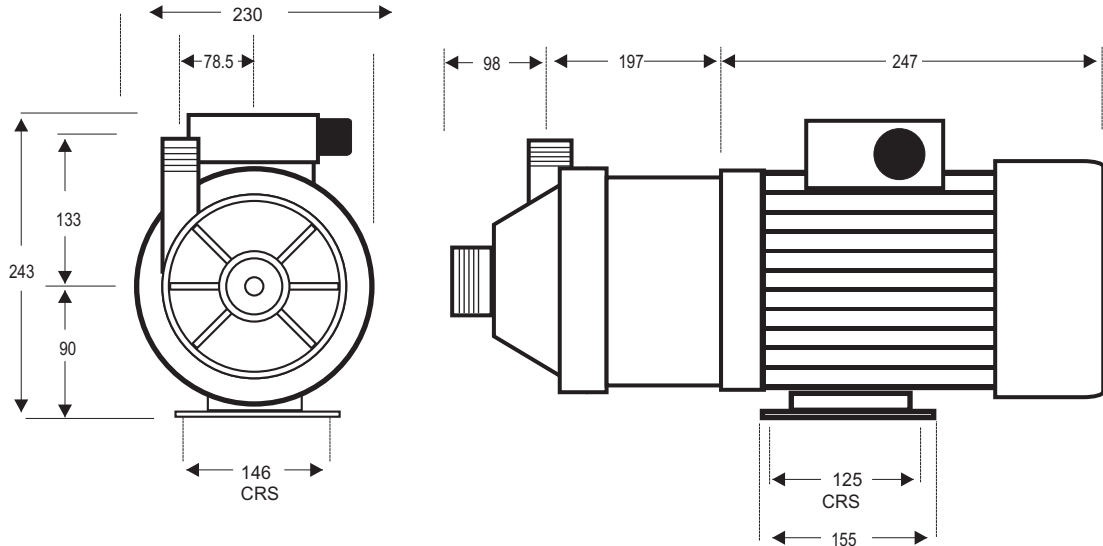
TE-8K-MD

DIMENSIONAL SCHEMATIC, PERFORMANCE AND PARTS LIST

DIMENSIONS mm

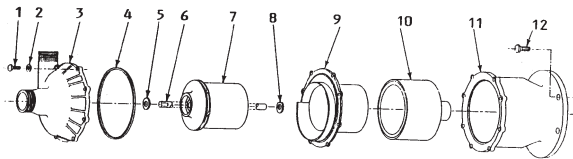
not to scale
specifications are subject to change

Inlet: 2" NPT.M
Outlet: 1" 1/2" NPT.M



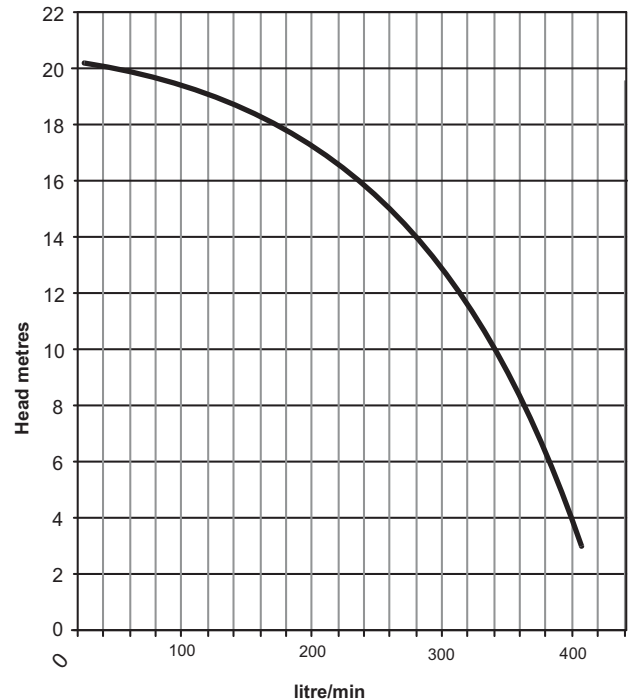
Details may change depending upon the motor specified

PARTS LIST



1	PUMP HOUSING SCREWS ST/STEEL	8	0157-036-UK
2	PUMP HOUSING WASHERS ST/STEEL	8	0157-023-UK
3	PUMP HOUSING KYNAR	1	0157-052-10
4	VITON 'O' RING	1	0157-011-UK
5	FRONT THRUST WASHER CERAMIC	1	0157-001-10
6	SPINDLE CERAMIC	1	0157-002-10
7	IMPELLER MAG ASSY C/W CARBON BUSH	1	0157-050-05
8	REAR THRUST WASHER CERAMIC	1	0157-009-10
9	IMPELLER HOUSING KYNAR	1	0157-053-10
10	DRIVE MAGNET ASSY C/W SLEEVE & KEY	1	0157-005-01
11	MOTOR BRACKET	1	0157-008-10
12	BRACKET FIXING SCREWS	4	0180-100-UK
13	BRACKET FIXING WASHERS	4	0180-200-UK
13A	BRACKET FIXING NUTS	4	0180-101-UK
14	WET END ASSY ITEMS 1-9		0080-333-21
15	PUMP HEAD ASSY ITEMS 1-13A		P080-333-210

PERFORMANCE



Tests obtained with water 1.0 SG

— 50 hz 2900 rpm