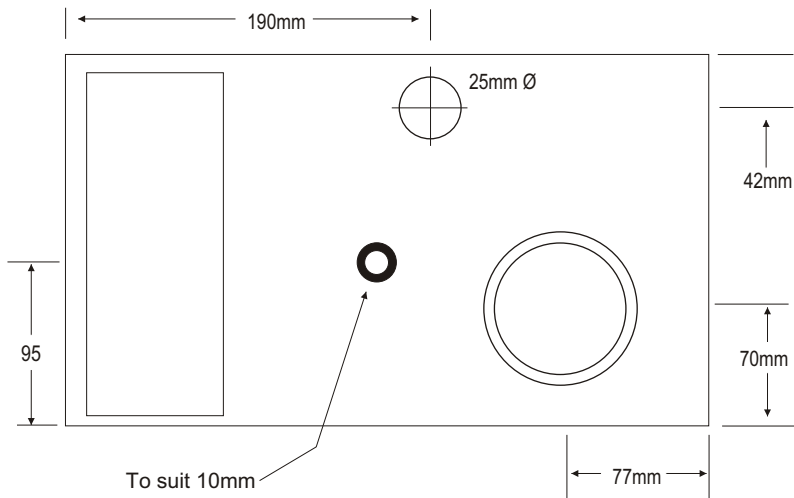
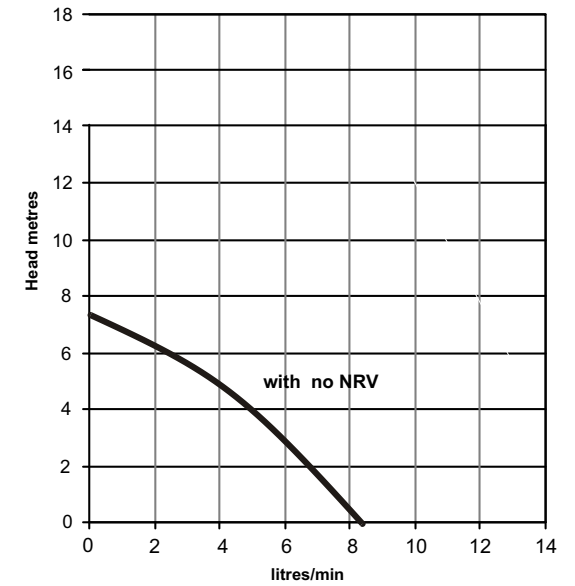
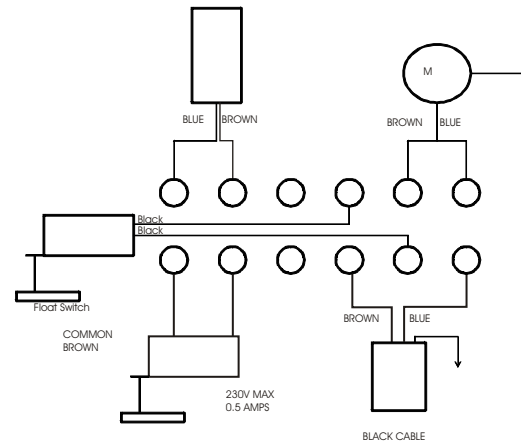


Motor: 22 watt shaded pole  
 FLA: 0.9 amp  
 Pump: Single stage  
 Tank Capacity: 8.0 litres



**Wiring Diagram - Op en**



Tests obtained with water 1.0 SG  
 — 50 hz 2900 rpm

