

VSP-2

Mechanically Sealed

Multi-stage Centrifugal

* Not to scale.
Specifications are subject to change.
Dimensions may change depending on motor specified

Technical Information

Stages:	2
Pump Housing:	Polypropylene
Impeller:	Polypropylene pinned to shaft
Agitator:	Nylon - 3 blade
O Rings:	Nitrile
Lip Seal:	Nitrile
Vapour seal:	Nitrile
Seal Plate/Mounting Plate Seal:	Silicone
Mounting Plate/Motor Seal:	Silicone
Inlet/Outlet Tubes:	Cross linked polyethene tube with Armaflex ARM06012-3 insulation
Mounting Plate:	1.2 mm stainless steel 4 coil mini cooler plate Part Number - 5022-5497-00
Motor:	AO Smith 70 watt 2 pole 50 Hz 2.0 µF Capacitor with hot melt secured cap 0.3 metre lead with mate-n-lock plug Class 1 windings
Max. temp	80 °C
Max. pressure	3.5 bar

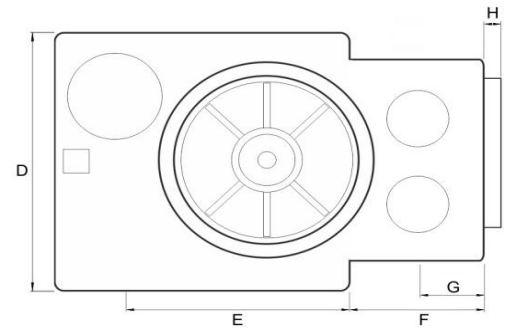
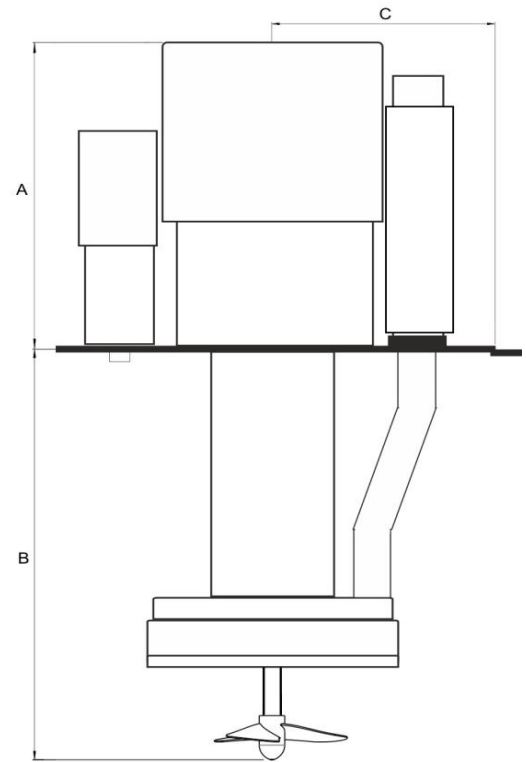
Motor data

	Code	Frame	Mounting	IP	Phase	Approvals
50 Hz 230 V	AF1H7003	56	B14	55	1	CE
50 Hz 230 V	JF1L6640K	56	B14	55	1	CE

	50 Hz			60Hz			Kg
	rpm	kW	Amps	rpm	kW	Amps	
50 Hz 230 V	2900	0.07	0.9	-	-	-	3.0
50 Hz 230 V	2900	0.07	0.9	-	-	-	3.0

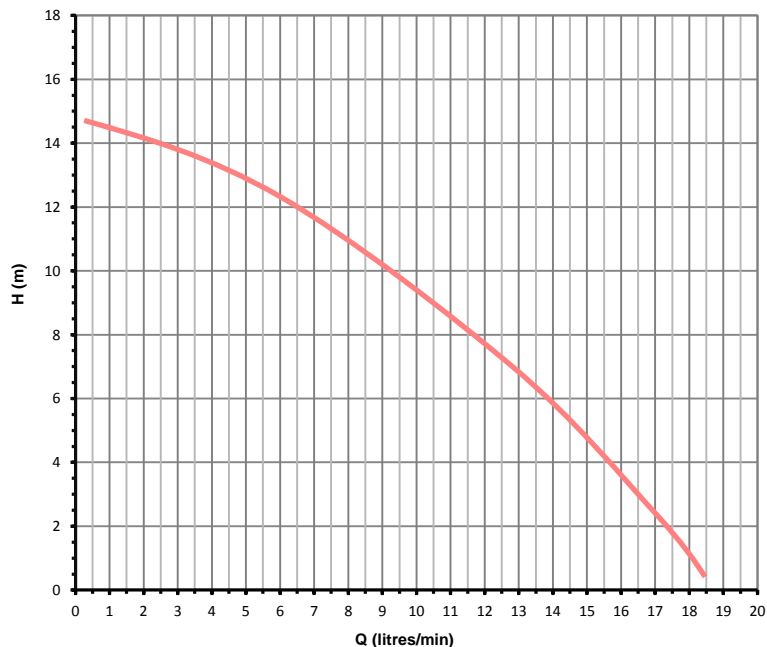
Dimensions

all dimensions in mm	A	B	C	D	E	F	G	H
50 Hz 230 V	133.00	213.00	92.00	126.00	145.00	50.00	32.00	10.00
50 Hz 230 V	133.00	213.00	92.00	126.00	145.00	50.00	32.00	10.00



Performance

Tests obtained with water 1.0 SG



50 Hz 2900 rpm



March May Ltd, Howard Road, Eaton Socon, St Neots, PE19 8NZ, UK

Tel: +44 (0) 1480 214444 Fax: +44 (0) 1480 405336 E-Mail: sales@marchmay.co.uk Website: www.marchmay.co.uk