

# VSP-3

Mechanically Sealed

Multi-stage Centrifugal

\* Not to scale.  
Specifications are subject to change.  
Dimensions may change depending on motor specified

## Technical Information

Stages:	3
Pump Housing:	Polypropylene - 3 flow channels
Impeller:	Polypropylene pinned to shaft
Agitator:	Nylon - 3 blade
O Rings:	Nitrile
Lip Seal:	Spring reinforced Nitrile
Vapour seal:	Nitrile
Seal Plate/Mounting Plate Seal:	Silicone
Mounting Plate/Motor Seal:	Silicone
Inlet/Outlet Tubes:	Cross linked polyethylene tube with K-Flex insulation 6 x 12mm
Mounting Plate:	Univsersal Part Number - 5022-548-00
Motor:	AO Smith 90 watt Shielded bearings Capacitor 3uF with hot melt secured cap 0.8 metre lead with IEC plug Class 1 windings
Max. temp	80 °C
Max. pressure	3.5 bar

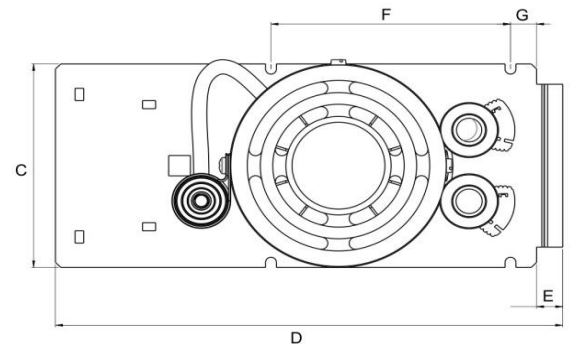
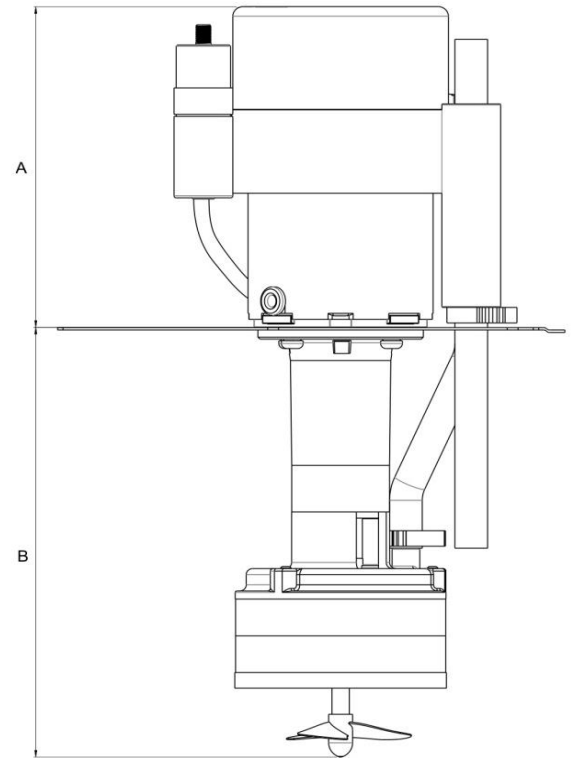
## Motor data

	Code	Frame	Mounting	IP	Phase	Approvals
50 Hz 230 V	AF1J6398	56	B14	55	1	CE
50 Hz 230 V	AF1J6364	56	B14	55	1	CE

	50 Hz			60Hz			Kg
	rpm	kW	Amps	rpm	kW	Amps	
50 Hz 230 V	2900	0.09	0.7	-	-	-	3.4
50 Hz 230 V	2900	0.09	0.7	-	-	-	3.4

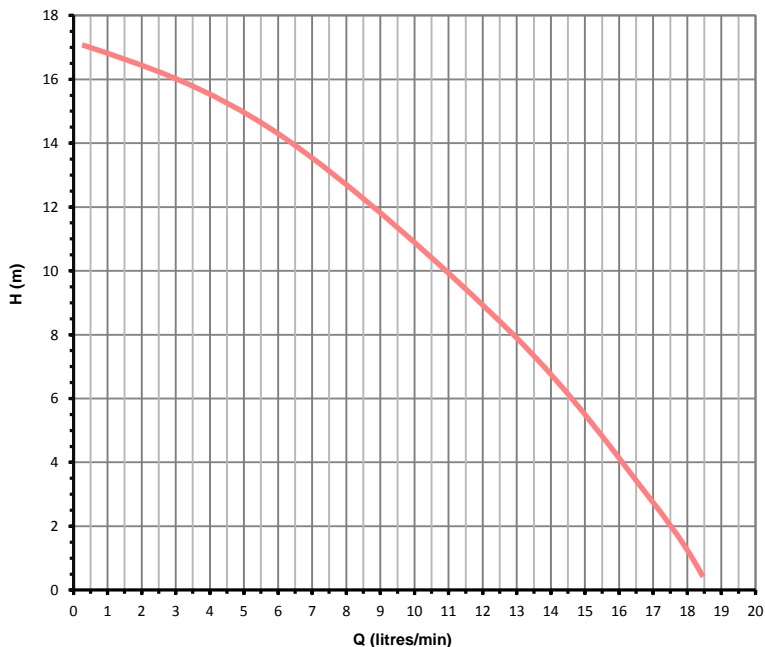
## Dimensions

all dimensions in mm	A	B	C	D	E	F	G
50 Hz 230 V	138.00	211.00	100.00	233.00	12.00	110.00	12.00
50 Hz 230 V	138.00	211.00	100.00	233.00	12.00	110.00	12.00



## Performance

Tests obtained with water 1.0 SG



50 Hz 2900 rpm



March May Ltd, Howard Road, Eaton Socon, St Neots, PE19 8NZ, UK

Tel: +44 (0) 1480 214444 Fax: +44 (0) 1480 405336 E-Mail: sales@marchmay.co.uk Website: www.marchmay.co.uk