

# TE-2P-MD

Magnetically Driven

Single-stage Centrifugal

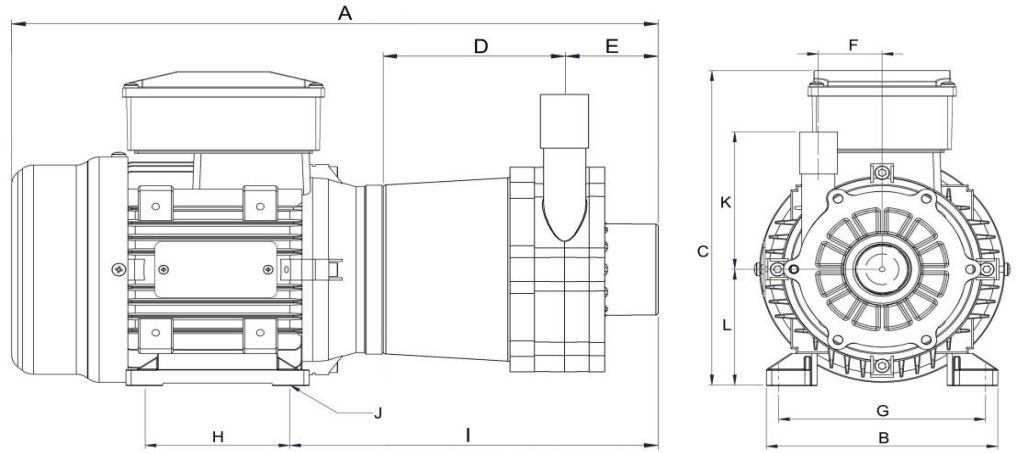
\* Not to scale.  
Specifications are subject to change.  
Dimensions may change depending on motor specified

**Wetted materials**

|               |               |
|---------------|---------------|
| Pump housing  | Polypropylene |
| Impeller      | Polypropylene |
| Spindle       | Ceramic       |
| Thrust Washer | Ceramic       |
| O Ring        | Viton         |
| Impeller mag  | Polypropylene |

**Limitations**

|               |         |
|---------------|---------|
| Max. temp     | 88 °C   |
| Max. pressure | 3.4 bar |



**Dimensions**

all dimensions in mm

|               | A      | B      | C      | D     | E     | F     | G     | H     | I      | J     | K     | L     | Inlet | Outlet     |
|---------------|--------|--------|--------|-------|-------|-------|-------|-------|--------|-------|-------|-------|-------|------------|
| 50/60 Hz 230V | 188.00 | 110.00 | 140.00 | 57.00 | 31.00 | 21.00 | 90.00 | 60.20 | 74.00  | 7 x10 | 59.00 | 56.00 | *     | 1/4" BSP.M |
| 50/60 Hz 230V | 199.00 | 110.00 | 140.00 | 57.00 | 31.00 | 21.00 | 90.00 | 60.20 | 74.00  | 7 x10 | 59.00 | 56.00 | *     | 1/4" BSP.M |
| 50/60 Hz 230V | 194.00 | 110.00 | 140.00 | 57.00 | 31.00 | 21.00 | 90.00 | 60.20 | 74.00  | 7 x10 | 59.00 | 56.00 | *     | 1/4" BSP.M |
| 415V          | 284.00 | 118.00 | 170.00 | 57.00 | 31.00 | 21.00 | 98.00 | 80.00 | 127.00 | 7 x10 | 59.00 | 56.00 | *     | 1/4" BSP.M |

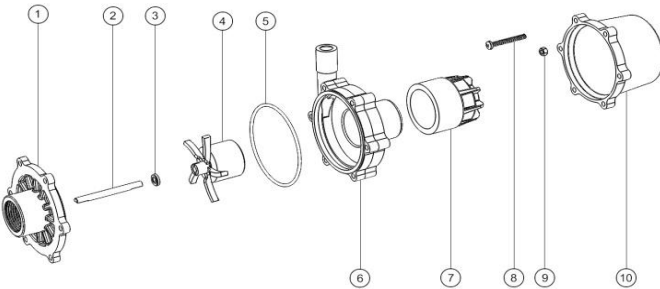
\* Inlet can be either 3/8" FPT or 3/4" MPT

**Motor Data**

|                  | Code     | Frame | Mounting | IP | Phase | rpm  | 50 Hz Kw | 50 Hz Amps | 60 Hz rpm | 60 Hz Kw | 60 Hz Amps | Approvals  | Total kg |
|------------------|----------|-------|----------|----|-------|------|----------|------------|-----------|----------|------------|------------|----------|
| 50 Hz 230V       | AF1D6288 | 56    | B34      | 44 | 1     | 2900 | 0.03     | 0.7        | -         | -        | -          | CE         | 2.9      |
| 50/60 Hz 230V    | AF1D6289 | 56    | B34      | 44 | 1     | 2900 | 0.03     | 0.7        | 3400      | 0.04     | 0.75       | CE UL CSA* | 2.9      |
| 50/60 Hz 110V    | AFD17037 | 56    | B34      | 44 | 1     | 2900 | 0.03     | 1.4        | 3400      | 0.04     | 1.5        | CE UL CSA* | 2.9      |
| TEC 400V 50/60Hz |          | 56    | B34      | 56 | 3     | 2900 | 0.12     | 0.47       | 3400      | 0.14     | 0.47       | CE         | 3.2      |

\* Manufacturer's UL Number - E46412 and CSA Number - CSA154595

**Parts List**



| Item | Description                    | Qty | Code        |
|------|--------------------------------|-----|-------------|
| 1    | FRONT COVER PP                 | 1   | 0125-056-10 |
| 2    | CERAMIC SPINDLE                | 1   | 0125-061-10 |
| 3    | CERAMIC THRUST WASHER          | 1   | 0130-028-UK |
| 4    | IMPELLER ASSY PP               | 1   | 0125-087-02 |
| 5    | VITON 'O' RING                 | 1   | 0125-065-UK |
| 6    | PUMP HOUSING PP                | 1   | 0125-58-10  |
| 7    | DRIVE MAGNET ASSY (5/16" bore) | 1   | 5002-200-01 |
| 8    | HOUSING SCREW ST/STEEL         | 6   | 0115-062-10 |
| 9    | HOUSING WASHER ST/STEEL        | 6   |             |
| 10   | MOTOR BRACKET                  | 1   | 0125-069-10 |

**Performance**

Tests obtained with water 1.0 SG

