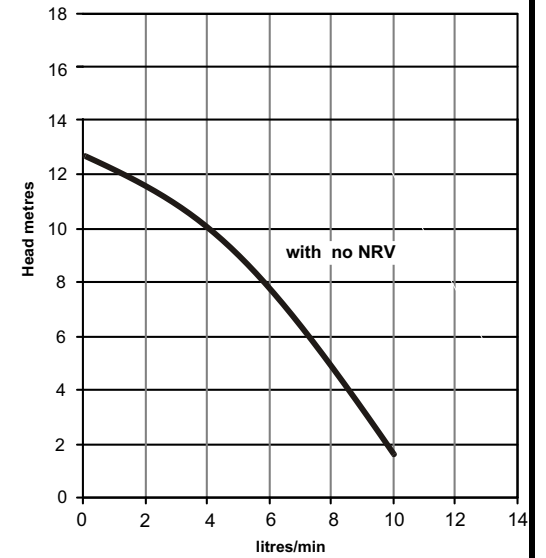
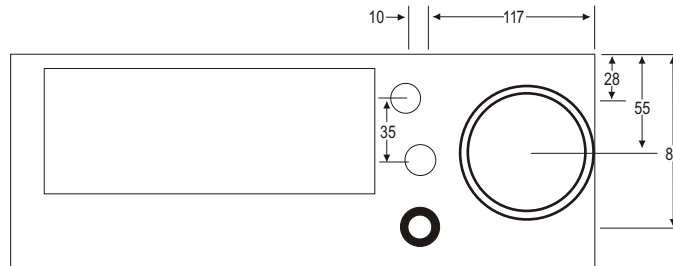
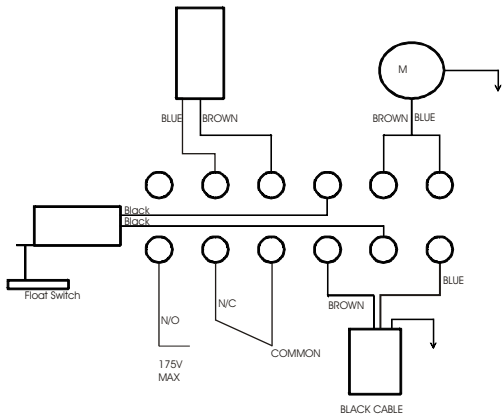


Motor: 90 watt shaded pole
 FLA: 0.7 amp
 Pump: Two stage
 Tank Capacity: 2.2 litres

90 watt 230v 50/60hz AOSMITH MOTOR



Wiring Diagram - See also 1000101



Tests obtained with water 1.0 SG
 — 50 hz 2900 rpm

