

MSP-1

Magnetically Driven

Multi-stage Centrifugal

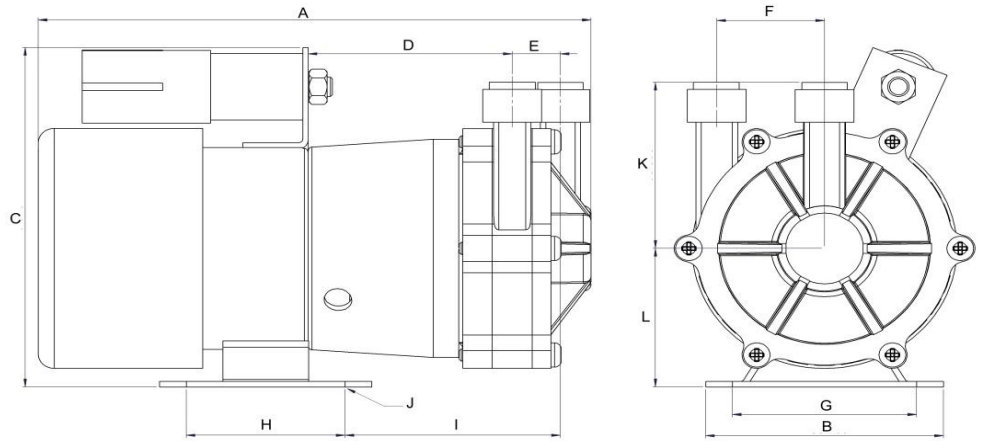
* Not to scale.
Specifications are subject to change.
Dimensions may change depending on motor specified

Wetted materials

Pump housing	Polypropylene
Impeller	Ryton
Spindle	Stainless Steel
Thrust Washer	Ceramic
O Ring	Nitrile

Limitations

Max. temp	88°C
Max. pressure	3.5 bar



Dimensions

all dimensions in mm	A	B	C	D	E	F	G	H	I	J	K	L	Inlet	Outlet
50 Hz 230V	207.00	88.90	140.00	76.50	18.00	40.30	67.50	60.20	80.50	12 x 8	69.50	56.00	*	*
50/60 Hz 230V	218.00	88.90	140.00	76.50	18.00	40.30	67.50	60.20	80.50	12 x 8	69.50	56.00		
50/60 Hz 110V	213.00	88.90	140.00	76.50	18.00	40.30	67.50	60.20	80.50	12 x 8	69.50	56.00		

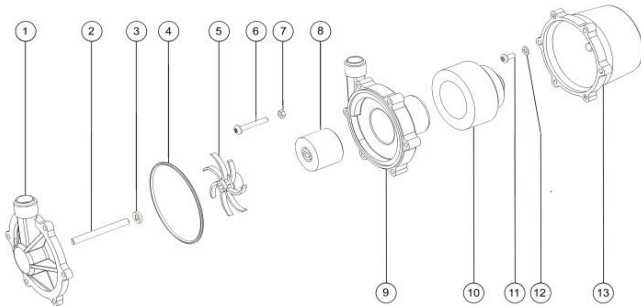
* There are 3 options for the Inlet and Outlet on this pump: 15mm push fit, 3/4" BSPM, 1/2" NPTM

Motor Data

	Code	Frame	Mounting	IP	Phase	rpm	50 Hz Kw	50 Hz Amps	60 Hz rpm	60 Hz Kw	60 Hz Amps	Approvals	Total kg
50 Hz 230V	AF1D6288	56	B34	44	1	2900	0.03	0.7	-	-	-	CE	2.9
50/60 Hz 230V	AF1D6289	56	B34	44	1	2900	0.07	0.7	3400	0.07	0.75	CE UL CSA*	2.9
50/60 Hz 110V	AFD17037	56	B34	44	1	2900	0.03	1.4	3400	0.03	1.5	CE UL CSA*	2.9

* Manufacturer's UL Number - E46412 and CSA Number - CSA154595

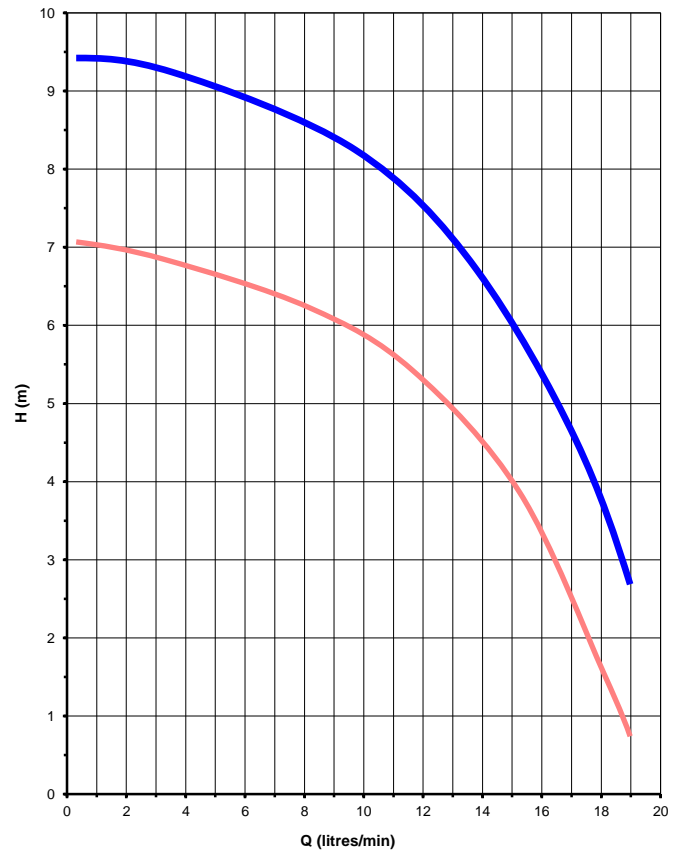
Parts List



Item	Description	Qty	Code
1	MSP FRONT COVER PP JG	1	5020-110-01
	MSP FRONT COVER PP 1/2" NPTM	1	5020-111-01
	MSP FRONT COVER PP 3/4" BSPM	1	5020-112-01
2	STAINLESS STEEL SPINDLE	1	5021-230-51
3	THRUST WASHER CERAMIC	1	0130-028-UK
4	O' RING NITRILE	1	5021-122-30
5	IMPELLER PPS	1	5021-130-08N
6	M5 X 35 POZI PAN SCREW ST/ST	6	5021-210-50P
7	FULL NUT M5 ST/ST	6	5021-180-50
8	IMPELLER MAGNET	1	5021-191-08
9	MSP PUMP HOUSING PP JG	1	5020-140-01
	MSP PUMP HOUSING PP 1/2" NPTM	1	5020-141-01
	MSP PUMP HOUSING PP 3/4" BSPM	1	5020-142-01
10	DRIVE MAGNET	1	5021-202-60
11	SCREW M5 X 12 POZI PAN ST/ST	4	5021-221-50
12	WASHER M5 SHAKEPROOF ST/ST	4	0135-200-UK
13	MSP BRACKET PP	1	5020-170-01

Performance

Tests obtained with water 1.0 SG



50 Hz 2900 rpm 60 Hz 3400 rpm

