

MSP-2

Magnetically Driven

Multi-stage Centrifugal

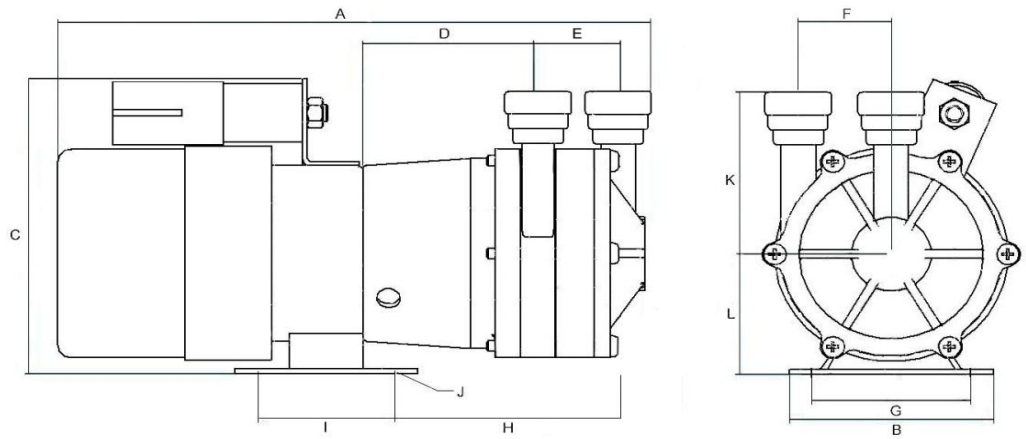
* Not to scale.
Specifications are subject to change.
Dimensions may change depending on motor specified

Wetted materials

| | |
|---------------|-----------------|
| Pump housing | Polypropylene |
| Impeller | Ryton |
| Spindle | Stainless Steel |
| Thrust Washer | Ceramic |
| O Ring | Nitrile |

Limitations

| | |
|---------------|---------|
| Max. temp | 88 °C |
| Max. pressure | 3.5 bar |



Dimensions

| all dimensions in mm | A | B | C | D | E | F | G | H | I | J | K | L | Inlet | Outlet |
|----------------------|--------|-------|--------|-------|-------|-------|-------|-------|-------|--------|-------|-------|-------|--------|
| 50/60 Hz 230V | 266.50 | 88.90 | 140.00 | 76.50 | 35.50 | 40.50 | 67.50 | 97.00 | 60.20 | 12 x 8 | 78.00 | 56.00 | * | * |
| 50/60 Hz 230V | 259.00 | 88.90 | 140.00 | 76.50 | 35.50 | 40.50 | 67.50 | 97.00 | 60.20 | 12 x 8 | 78.00 | 56.00 | | |

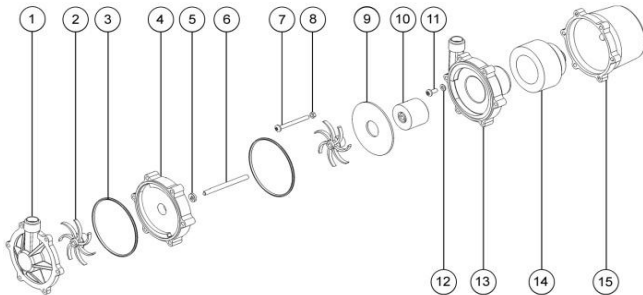
* There are 3 options for the Inlet and Outlet on this pump: 15mm push fit, 3/4" BSPM, 1/2" NPTM

Motor Data

| | Code | Frame | Mounting | IP | Phase | rpm | 50 Hz Kw | 50 Hz Amps | 60 Hz rpm | 60 Hz Kw | 60 Hz Amps | Approvals | Total kg |
|---------------|----------|-------|----------|----|-------|------|-------------|---------------|--------------|-------------|---------------|------------|-------------|
| 50/60 Hz 230V | AF1J6215 | 56 | B34 | 44 | 1 | 2900 | 0.07 | 0.7 | 3400 | 0.09 | 0.7 | CE | 3.25 |
| 50/60 Hz 230V | AFIH6457 | 56 | B34 | 44 | 1 | 2900 | 0.07 | 0.75 | 3400 | 0.09 | 0.81 | CE UL CSA* | 3.25 |

* Manufacturer's UL Number - E46412 and CSA Number - CSA154595

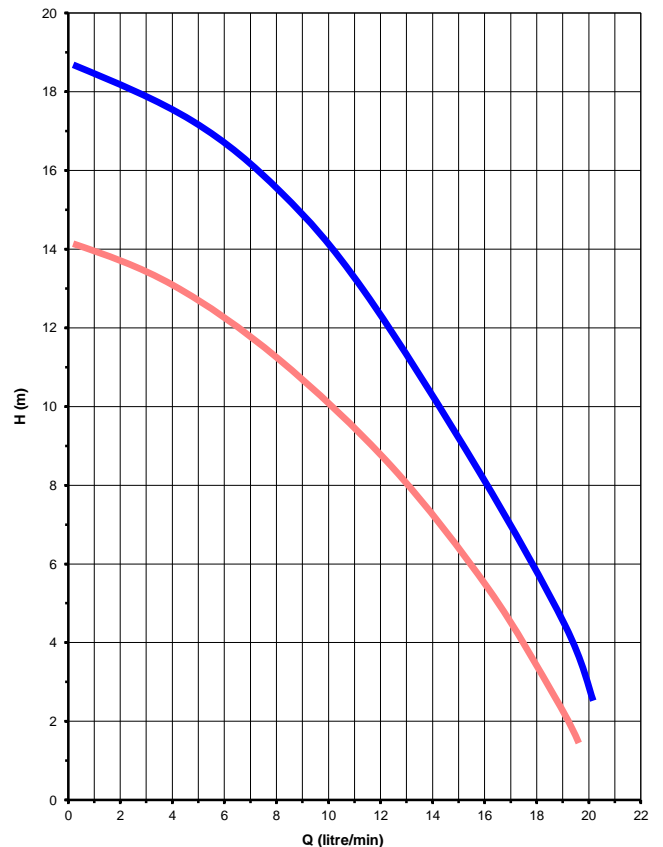
Parts List



| Item | Description | Qty | Code |
|------|---------------------------------|-----|--------------|
| 1 | MSP FRONT COVER PP JG | 1 | 5020-110-01 |
| | MSP FRONT COVER PP 1/2" NPTM | 1 | 5020-111-01 |
| | MSP FRONT COVER PP 3/4" BSPM | 1 | 5020-112-01 |
| 2 | IMPELLER PPS | 2 | 5021-130-08N |
| 3 | O RING Id 87, 3mm C/SEC NITRILE | 2 | 5020-122-30 |
| 4 | STAGE HOUSING | 1 | 5020-150-01 |
| 5 | THRUST WASHER CERAMIC | 1 | 0130-028-UK |
| 6 | SPINDLE ST STEEL 97 mm | 1 | 5021-232-51 |
| 7 | M5 x 70 POZI PAN SCREW ST STEEL | 6 | 5020-212-50 |
| 8 | FULL NUT M5 ST STEEL | 6 | 5021-180-50 |
| 9 | BACKING PLATE | 1 | 5020-160-13 |
| 10 | IMPELLER MAGNET PPS | 1 | 5021-191-08 |
| 11 | SCREW M5 x 12 POZI PAN ST STEEL | 4 | 5021-221-50 |
| 12 | WASHER M5 SHAKEPROOF ST STEEL | 4 | 0135-200-UK |
| 13 | MSP PUMP HOUSING PP JG | 1 | 5020-140-01 |
| | MSP PUMP HOUSING PP 1/2" NPTM | 1 | 5020-141-01 |
| | MSP PUMP HOUSING PP 3/4" BSPM | 1 | 5020-142-01 |
| 14 | DRIVE MAGNET | 1 | 5021-202-60 |
| 15 | MSP BRACKET PP | 1 | 5020-170-01 |

Performance

Tests obtained with water 1.0 SG



50 Hz 2900 rpm 60 Hz 3400 rpm

