

MSP-3

Magnetically Driven

Multi-stage Centrifugal

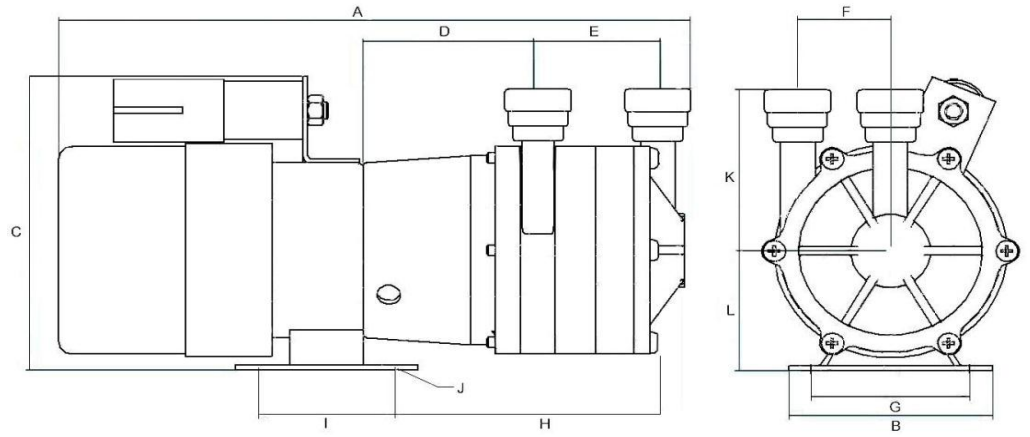
* Not to scale.
Specifications are subject to change.
Dimensions may change depending on motor specified

Wetted materials

Pump housing	Polypropylene
Impeller	Ryton
Spindle	Stainless Steel
Thrust Washer	Ceramic
O Ring	Nitrile

Limitations

Max. temp	88 °C
Max. pressure	3.5 bar



Dimensions

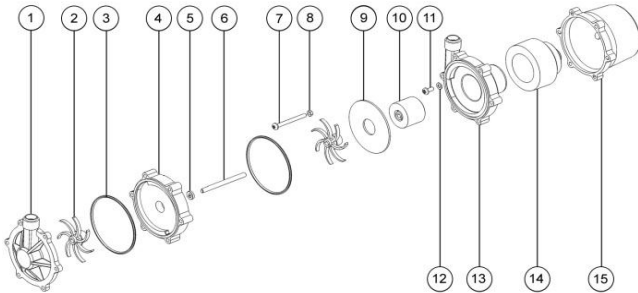
all dimensions in mm	A	B	C	D	E	F	G	H	I	J	K	L	Inlet	Outlet
50 Hz 230V	278.00	88.90	140.00	76.50	53.00	40.50	67.50	114.50	60.20	12 x 8	78.00	56.00	*	*
50/60 Hz 230V	302.00	88.90	140.00	76.50	53.00	40.50	67.50	114.50	60.20	12 x 8	78.00	56.00		
ATB 50/60 Hz	283.00	110.00	142.00	76.50	53.00	40.50	90.00	114.50	51.00	12 x 8	78.00	56.00		

* There are 3 options for the Inlet and Outlet on this pump: 15mm push fit, 3/4" BSPM, 1/2" NPTM

Motor Data

	Code	Frame	Mounting	IP	Phase	rpm	50 Hz Kw	50 Hz Amps	60 Hz rpm	60 Hz Kw	60 Hz Amps	Approvals	Total kg
50 Hz 230V	AFIJ6215	56	B34	44	1	2900	0.09	0.7	-	-	-	CE	3.60
50/60 Hz 230V	JFIL6536	56	B34	44	1	2900	0.09	0.9	3400	0.12	0.9	CE	3.60
ATB 50/60 Hz	SRBF0,09/2-B41	56	B41	44	1	2900	0.09	0.7	3400	0.12	0.7	CE, UL, CSA*	3.26

Parts List

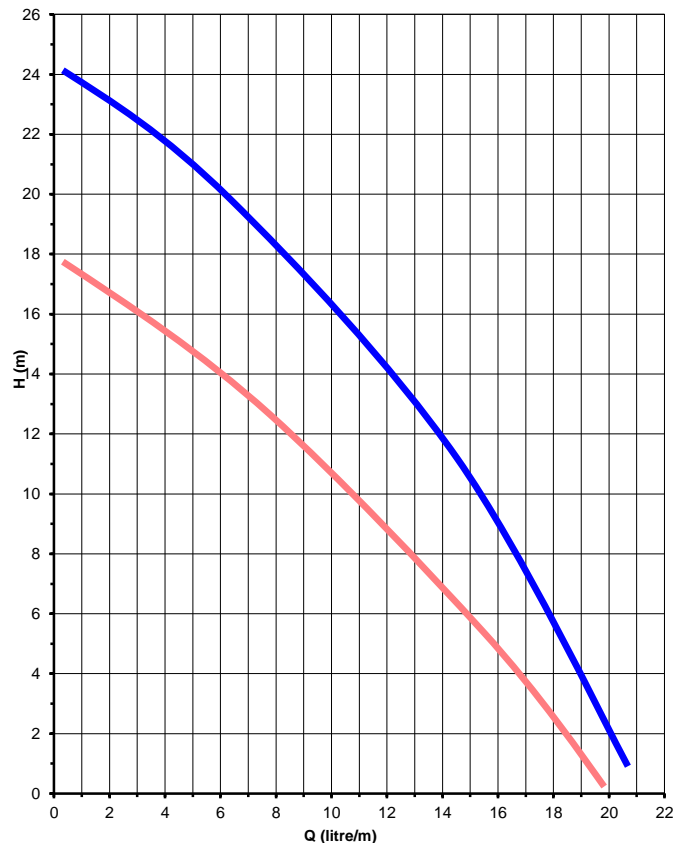


N.B. Parts diagram shows 2 stage pump

Item	Description	Qty	Code
1	MSP FRONT COVER PP JG	1	5020-110-01
	MSP FRONT COVER PP 1/2" NPTM	1	5020-111-01
	MSP FRONT COVER PP 3/4" BSPM	1	5020-112-01
2	IMPELLER PPS	3	5021-130-08N
3	O RING Id 87, 3mm C/SEC NITRILE	3	5020-122-30
4	STAGE HOUSING	2	5020-150-01
5	THRUST WASHER CERAMIC	1	0130-028-UK
6	SPINDLE ST STEEL 97 mm	1	5021-232-51
7	M5 x 70 POZI PAN SCREW ST STEEL	6	5020-212-50
8	FULL NUT M5 ST STEEL	6	5021-180-50
9	BACKING PLATE	2	5020-160-13
10	IMPELLER MAGNET PPS	1	5021-191-08
11	SCREW M5 x 12 POZI PAN ST STEEL	4	5021-221-50
12	WASHER M5 SHAKEPROOF ST STEEL	4	0135-200-UK
13	MSP PUMP HOUSING PP JG	1	5020-140-01
	MSP PUMP HOUSING PP 1/2" NPTM	1	5020-141-01
	MSP PUMP HOUSING PP 3/4" BSPM	1	5020-142-01
14	DRIVE MAGNET	1	5021-202-60
15	MSP BRACKET PP	1	5020-170-01

Performance

Tests obtained with water 1.0 SG



50 Hz 2900 rpm 60 Hz 3400 rpm

