

EMD-4 SP

Magnetically Driven

Single-stage Centrifugal

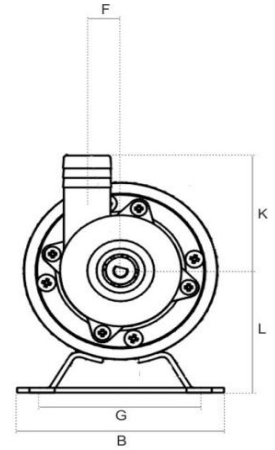
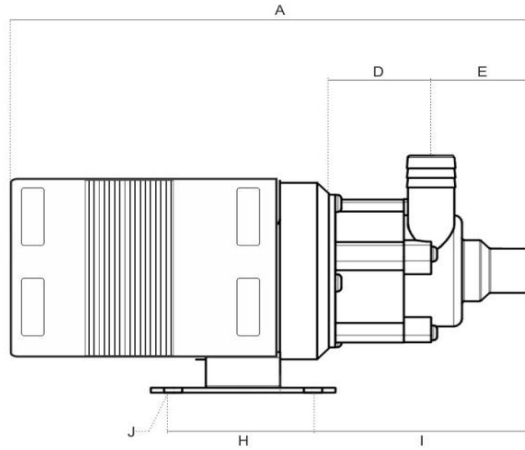
* Not to scale.
Specifications are subject to change.
Dimensions may change depending on motor specified

Wetted materials

| | |
|---------------|------------------------|
| Pump housing | Polypropylene |
| Impeller | Polypropylene |
| Spindle | Ceramic |
| Thrust Washer | Ceramic |
| O Ring | Viton/EPDM/ Nitrile |

Limitations

| | |
|---------------|---------|
| Max. temp | 88 °C |
| Max. pressure | 3.4 bar |



Dimensions

all dimensions in mm

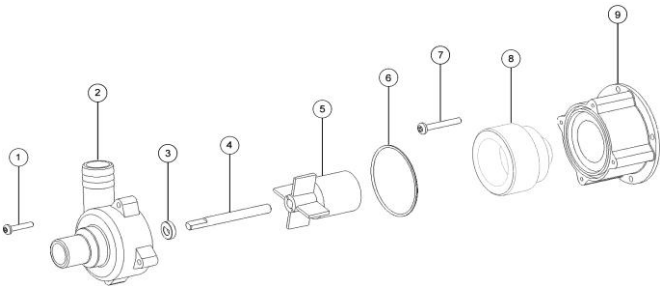
| | A | B | C | D | E | F | G | H | I | J | K | L | Inlet | Outlet |
|---------------|--------|-------|--------|-------|-------|-------|-------|-------|-------|----------|-------|-------|-------|--------|
| 50 Hz SP 230V | 213.00 | 89.00 | 140.00 | 65.00 | 43.00 | 14.40 | 67.50 | 60.20 | 94.00 | 7.8x10.9 | 54.00 | 57.00 | * | * |

* The are two inlet and outlet options for this pump : 1/2" BSP or 3/4" barbed push fit.

Motor Data

| | Code | Frame | Mounting | IP | Phase | rpm | 50 Hz | | 60 Hz | | Approvals | Total kg | |
|---------------|-----------|-------|----------|----|-------|------|-------|------|-------|----|-----------|----------|------|
| | | | | | | | Kw | Amps | rpm | Kw | | | Amps |
| 50 Hz SP 230V | ABIP6898K | 56 | B34 | 0 | 1 | 2900 | 0.03 | 0.65 | - | - | - | CE | 1.5 |

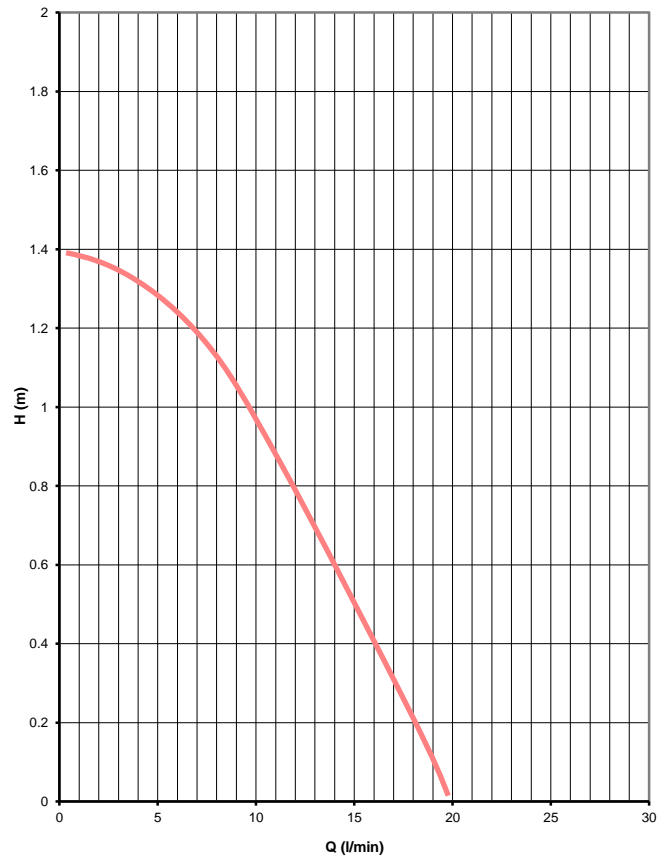
Parts List



| Item | Description | Qty | Code |
|------|-------------------------------|-----|-------------|
| 1 | PUMP HOUSING SCREW No6 x 3/4" | 4 | 5002-210-50 |
| 2 | PUMP HOUSING PLAIN PP | 1 | 5002-140-01 |
| | PUMP HOUSING THREADED | 1 | 5002-141-01 |
| 3 | CERAMIC THRUST WASHER | 1 | 0130-028-UK |
| 4 | CERAMIC SPINDLE | 1 | 0130-024-UK |
| 5 | IMPELLER ASSEMBLY | 1 | 5002-134-01 |
| 6 | NITRILE 'O' RING | 1 | 5002-120-30 |
| 7 | MOTOR SCREW M4 x 30 SS | 4 | 5022-221-50 |
| 8 | DRIVE MAGNET ASSY FERRITE/PPS | 1 | 5002-200-01 |
| 9 | REAR HOUSING PP | 1 | 5002-250-01 |

Performance

Tests obtained with water 1.0 SG



50 Hz 2900 rpm



March May Ltd, Howard Road, Eaton Socon, St Neots, PE19 8NZ, UK

Tel: +44 (0) 1480 214444 Fax: +44 (0) 1480 405336 E-Mail: sales@marchmay.co.uk Website: www.marchmay.co.uk