

# EMC-2P

Magnetically Driven

Multi-stage Centrifugal

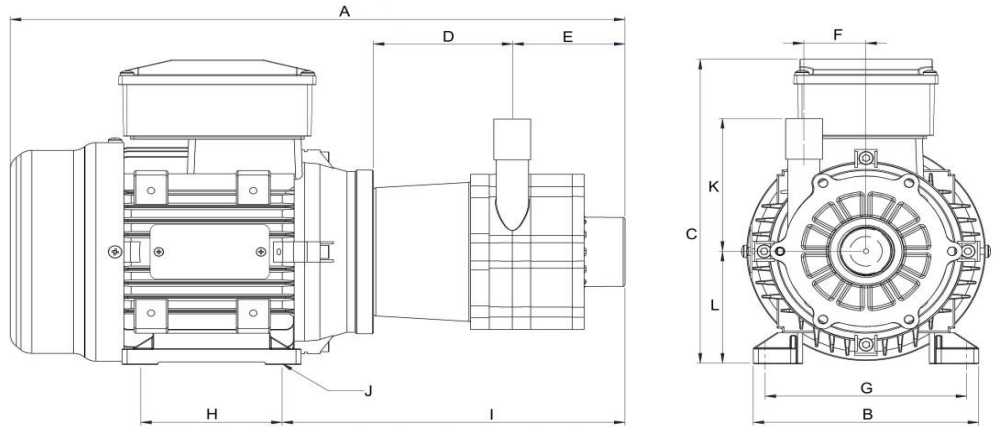
\* Not to scale.  
Specifications are subject to change.  
Dimensions may change depending on motor specified

### Wetted materials

Pump housing	Polypropylene
Impeller	Polypropylene
Spindle	Ceramic
Thrust Washer	Ceramic
O Ring	Viton

### Limitations

Max. temp	88 °C
Max. pressure	3 bar



### Dimensions

all dimensions in mm	A	B	C	D	E	F	G	H	I	J	K	L	Inlet	Outlet
CIMA 250	316.40	107.00	160.00	81.50	65.90	40.30	91.00	72.00	181.40	9 x 6	85.00	56.00	1" BSP F	*
TEC 230V 50/60Hz	359.40	131.00	186.00	81.50	65.90	40.30	112.00	91.00	192.40	10 x 6	85.00	71.00	1" BSP F	*

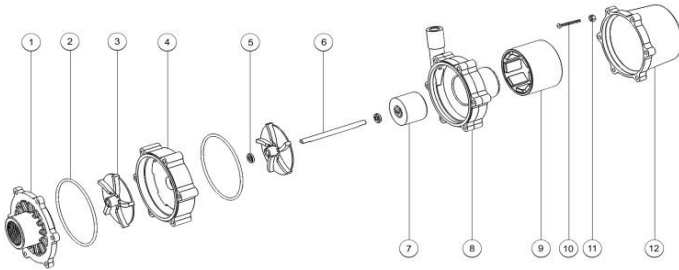
\* Outlet can be either 1/2" BSP Male or 21mm barbed male.

### Motor Data

Code	Frame	Mounting	IP	Phase	rpm	50 Hz Kw	50 Hz Amps	60 Hz rpm	60 Hz Kw	60 Hz Amps	Approvals	Total kg
CIMA 250	56	B34	55	1	2900	0.18	2.1	3400	0.25	2.1	CE*	4.7
TEC 230V 50/60Hz	71	B34	55	1	2900	0.37	1.67	3400	0.44	1.67	CE	5.7

\* Manufactured from UL listed components

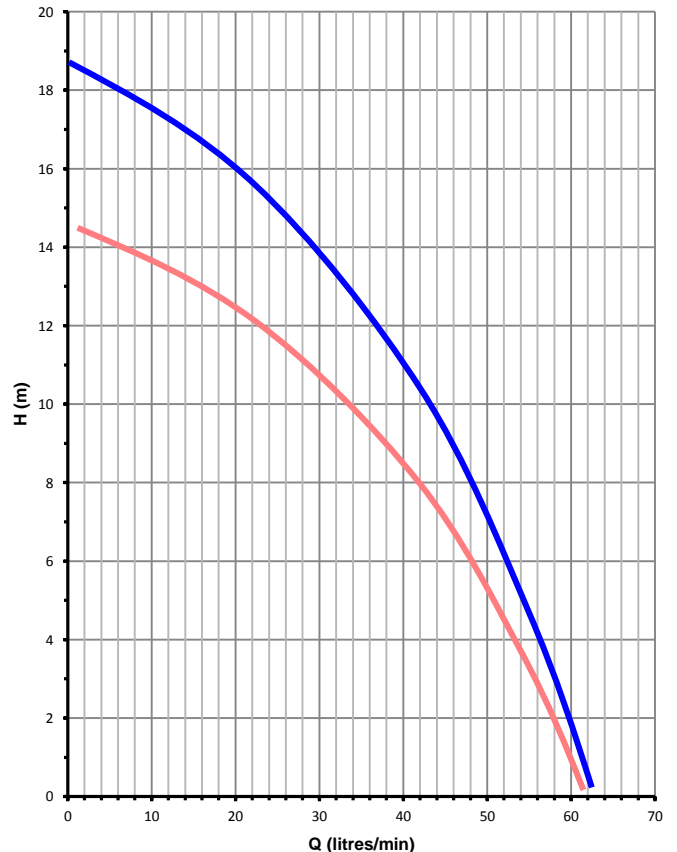
### Parts List



Item	Description	Qty	Code
1	Front Cover PP BSP	1	5028-110-01
2	Viton O Ring	2	5020-122-31
3	Impeller PP	2	5028-130-01
4	Stage Housing PP	1	5028-150-01
5	Ceramic Thrust Washer	2	0130-028-UK
6	Ceramic Spindle 96mm	1	5028-232-70
7	Impeller Magnet PP Encapsulated	1	5021-191-22
8	Pump Housing PP	1	5028-141-01
9	Drive Magnet High Torque Nb x 5 (for 50Hz)	1	5021-208-56/11
	Drive Magnet High Torque Nb x 8 (for 60Hz)		5021-208-56/14
10	Screw M5x75 Pan	6	5021-212-50
11	Full Nut M5	6	5021-180-50
12	Motor Bracket	1	5020-170-01

### Performance

Tests obtained with water 1.0 SG



50 Hz 2900 rpm

60 Hz 3400 rpm



March May Ltd, Howard Road, Eaton Socon, St Neots, PE19 8NZ, UK

Tel: +44 (0) 1480 214444 Fax: +44 (0) 1480 405336 E-Mail: sales@marchmay.co.uk Website: www.marchmay.co.uk