

EMC-3R

Magnetically Driven

Multi-stage Centrifugal

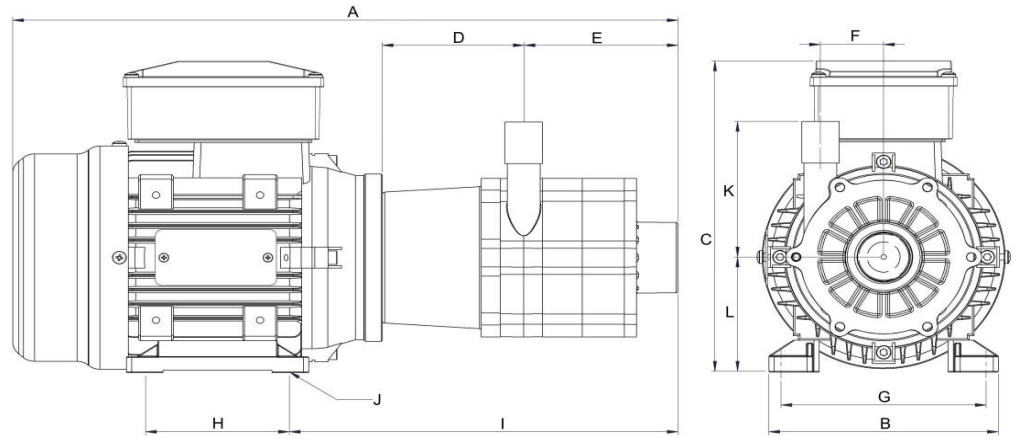
* Not to scale.
Specifications are subject to change.
Dimensions may change depending on
motor specified

Wetted materials

Pump housing	Ryton
Impeller	Ryton
Spindle	Ceramic
Thrust Washer	Ceramic
O Ring	Viton

Limitations

Max. temp	93 °C
Max. pressure	6 bar



Dimensions

all dimensions in mm

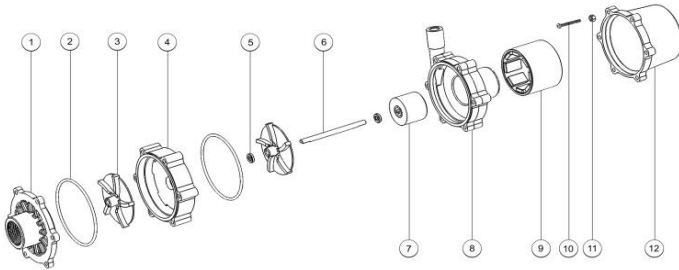
	A	B	C	D	E	F	G	H	I	J	K	L	Inlet	Outlet
TEC 230V 50Hz	383.60	131.00	186.00	81.50	90.10	40.30	112.00	91.00	216.60	10 x 6	85.00	71.00	1" BSP F	*
TEC 230v 50/60Hz	381.60	131.00	186.00	81.50	90.10	40.30	112.00	91.00	216.60	10 x 6	85.00	71.00	1" BSP F	*

* Outlet can be either 1/2" BSP Male or 21mm barbed male.

Motor Data

	Code	Frame	Mounting	IP	Phase	rpm	50 Hz Kw	Amps	60 Hz rpm	Kw	Amps	Approvals	Total kg
TEC 230V 50Hz		71		55	1	2900	0.37		-	-	-	CE	6.0
TEC 230v 50/60Hz		71	B34	55	1	2900	0.55	2.45	3400	0.66	2.45	CE	6.6

Parts List

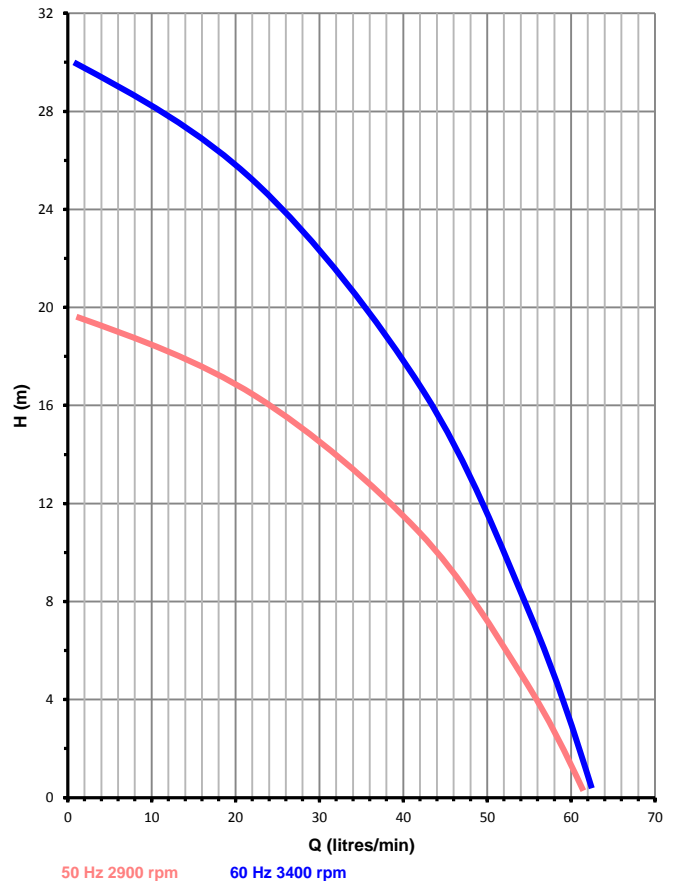


N.B. Parts diagram shows 2 stage pump

Item	Description	Qty	Code
1	Front Cover PPS BSP	1	5028-110-09
2	Viton O Ring	3	5020-122-31
3	Impeller PPS (Full Size 75mm)	3	5028-130-09
4	Stage Housing PPS	2	5028-150-09
5	Ceramic Thrust Washer	2	0130-028-UK
6	Ceramic Spindle 120mm	1	5028-233-70
7	Impeller Magnet PPS Encapsulated	1	
8	Pump Housing PPS BSP	1	5028-141-09
9	Drive Magnet High Torque Nb x 8	1	5028-209-56/14
10	Screw M5x90 Pan	6	5021-213-50
11	Full Nut M5	6	5021-180-50
12	Motor Bracket PP	1	5020-170-01

Performance

Tests obtained with water 1.0 SG



March May Ltd, Howard Road, Eaton Socon, St Neots, PE19 8NZ, UK

Tel: +44 (0) 1480 214444 Fax: +44 (0) 1480 405336 E-Mail: sales@marchmay.co.uk Website: www.marchmay.co.uk