

EMC-4P

Magnetically Driven

Multi-stage Centrifugal

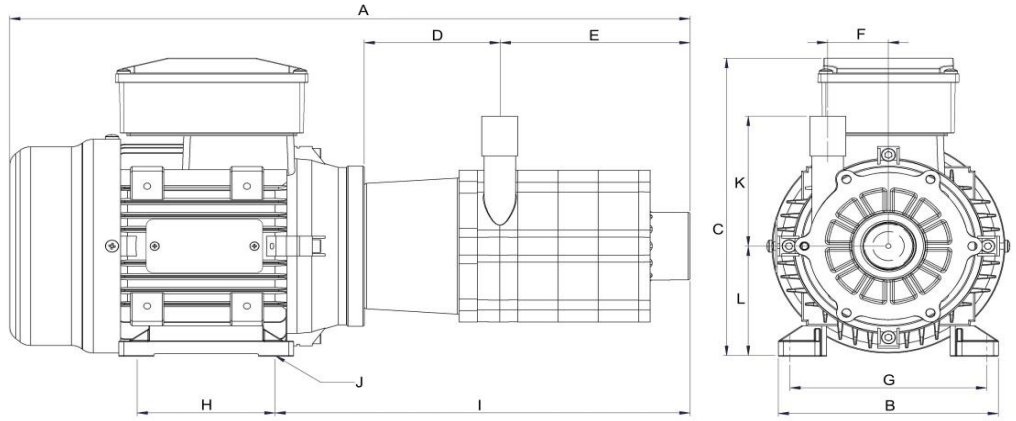
* Not to scale.
Specifications are subject to change.
Dimensions may change depending on motor specified

Wetted materials

| | |
|---------------|---------------|
| Pump housing | Polypropylene |
| Impeller | Polypropylene |
| Spindle | Ceramic |
| Thrust Washer | Ceramic |
| O Ring | Viton |

Limitations

| | |
|---------------|-------|
| Max. temp | 88 °C |
| Max. pressure | 3 bar |



Dimensions

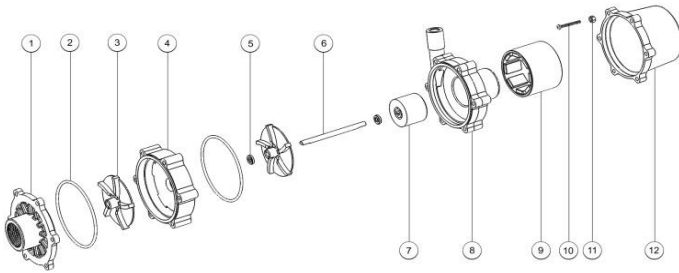
| all dimensions in mm | A | B | C | D | E | F | G | H | I | J | K | L | Inlet | Outlet |
|----------------------|--------|--------|--------|-------|--------|-------|--------|-------|--------|--------|-------|-------|----------|--------|
| TEC 230V 50Hz | 405.80 | 133.00 | 184.00 | 81.50 | 114.30 | 40.30 | 113.00 | 91.00 | 240.80 | 10 x 6 | 85.00 | 71.00 | 1" BSP F | * |
| TEC 230V 50/60Hz | 420.80 | 133.00 | 184.00 | 81.50 | 114.30 | 40.30 | 113.00 | 91.00 | 240.80 | 12 x 7 | 85.00 | 71.00 | 1" BSP F | * |

* Outlet can be either 1/2" BSP Male or 21mm barbed male.

Motor Data

| | Code | Frame | Mounting | IP | Phase | rpm | 50 Hz | | 60 Hz | | Approvals | Total kg | |
|------------------|------|-------|----------|----|-------|------|-------|------|-------|-----|-----------|----------|------|
| | | | | | | | Kw | Amps | rpm | Kw | | | Amps |
| TEC 230V 50Hz | | 71 | B34 | 55 | 1 | 2900 | 0.55 | 3.49 | - | - | CE | 7.8 | |
| TEC 230V 50/60Hz | | 71 | B34 | 55 | 1 | 2900 | 0.75 | 3.18 | 3400 | 0.9 | 3.18 | CE | 8.1 |

Parts List

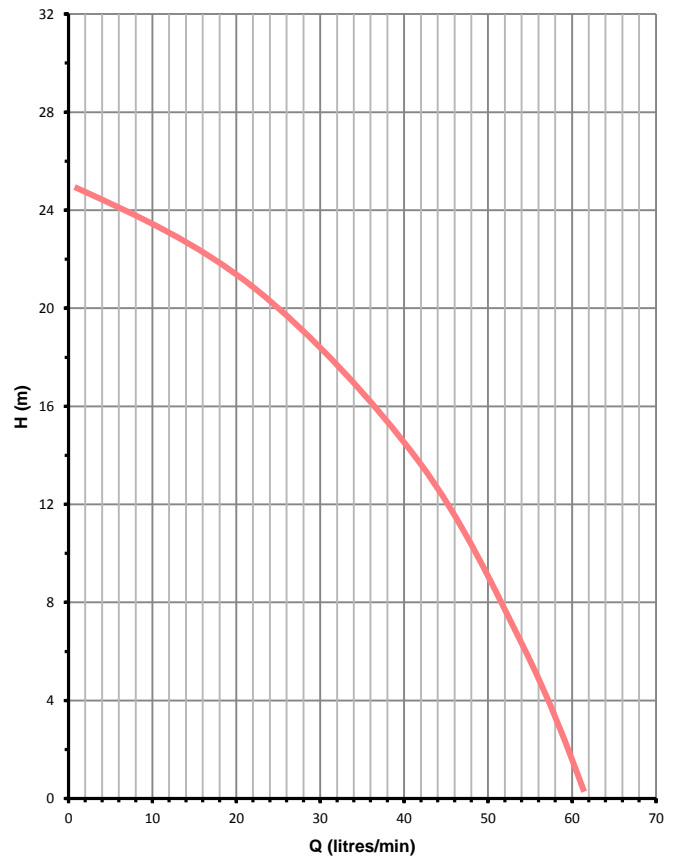


N.B. Parts diagram shows 2 stage pump

| Item | Description | Qty | Code |
|------|---------------------------------|-----|----------------|
| 1 | Front Cover PP BSP | 1 | 5028-110-01 |
| 2 | Viton O Ring | 4 | 5020-122-31 |
| 3 | Impeller PP (Full Size 75mm) | 4 | 5028-130-01 |
| 4 | Stage Housing PP | 3 | 5028-150-01 |
| 5 | Ceramic Thrust Washer | 2 | 0130-028-UK |
| 6 | Ceramic Spindle | 1 | 5028-234-70 |
| 7 | Impeller Magnet PP Encapsulated | 1 | 5021-191-22 |
| 8 | Pump Housing PP BSP | 1 | 5028-141-01 |
| 9 | Drive Magnet High Torque Nb x 8 | 1 | 5028-209-56/14 |
| 10 | Screw M5x Pan | 6 | |
| 11 | Full Nut M5 | 6 | 5021-180-50 |
| 12 | Motor Bracket PP | 1 | 5020-170-01 |

Performance

Tests obtained with water 1.0 SG



50 Hz 2900 rpm



March May Ltd, Howard Road, Eaton Socon, St Neots, PE19 8NZ, UK

Tel: +44 (0) 1480 214444 Fax: +44 (0) 1480 405336 E-Mail: sales@marchmay.co.uk Website: www.marchmay.co.uk