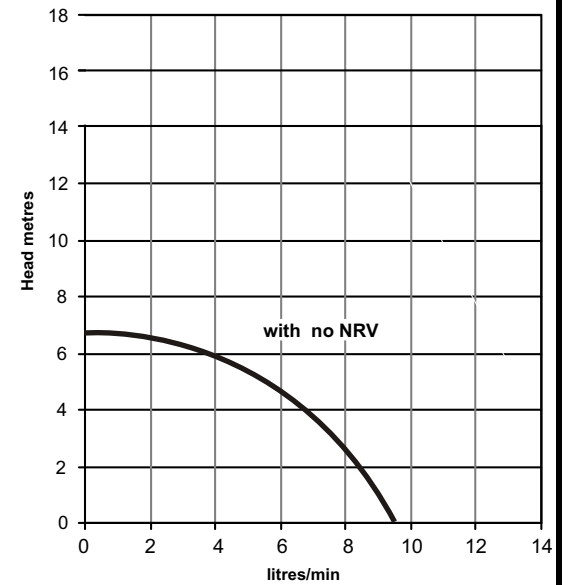
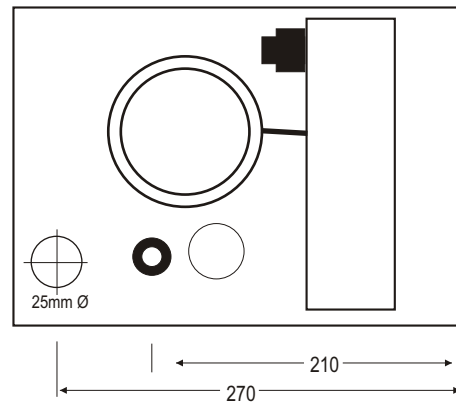
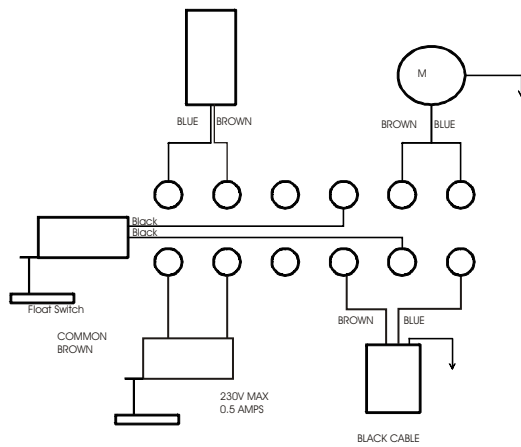


Motor: 40 watt shaded pole
 FLA: 0.36 amp
 Pump: Single stage
 Tank Capacity: 8.0 litres

Wiring Diagram - Open



Tests obtained with water 1.0 SG

— 50 hz 2900 rpm

