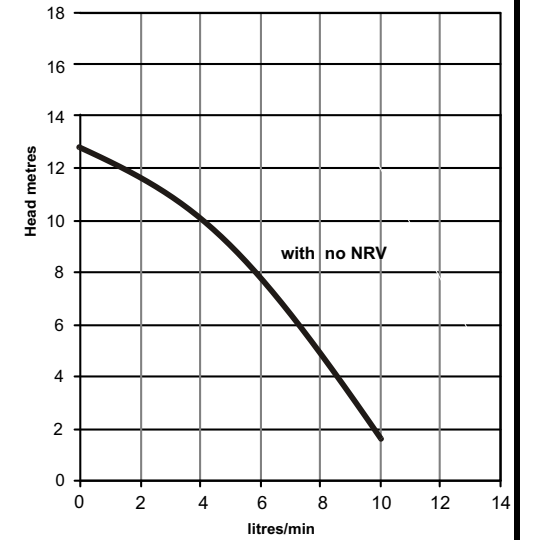
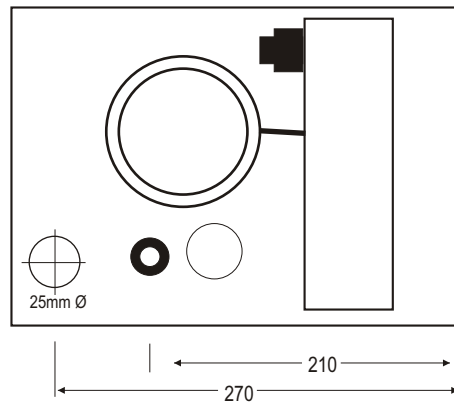
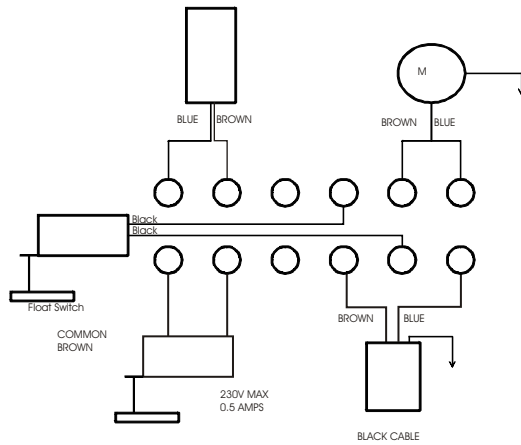


Motor: 90 watt shaded pole
 FLA: 0.7 amp
 Pump: Two stage
 Tank Capacity: 8.0 litres

Wiring Diagram - Open



Tests obtained with water 1.0 SG
 — 50 hz 2900 rpm

