



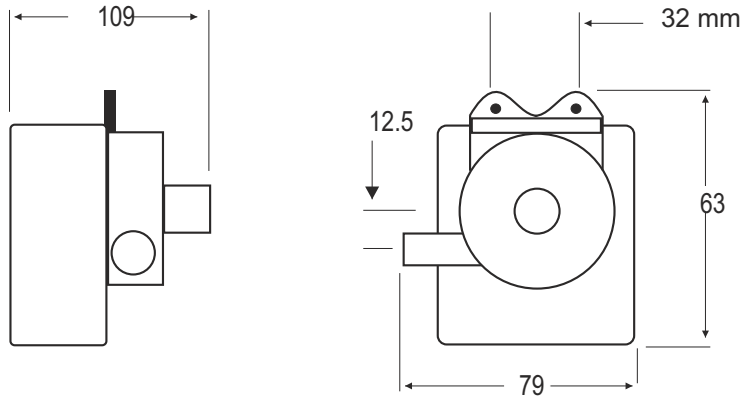
AC-1A-MD

DIMENSIONAL SCHEMATIC, PERFORMANCE AND PARTS LIST

DIMENSIONS mm

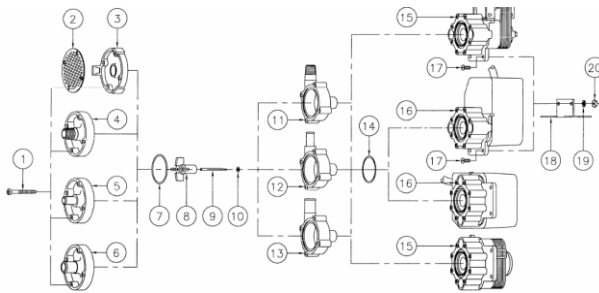
not to scale
specifications are subject to change

Inlet: 1/2" OD
1/4" OD
Outlet: 1/2" OD
1/4" OD

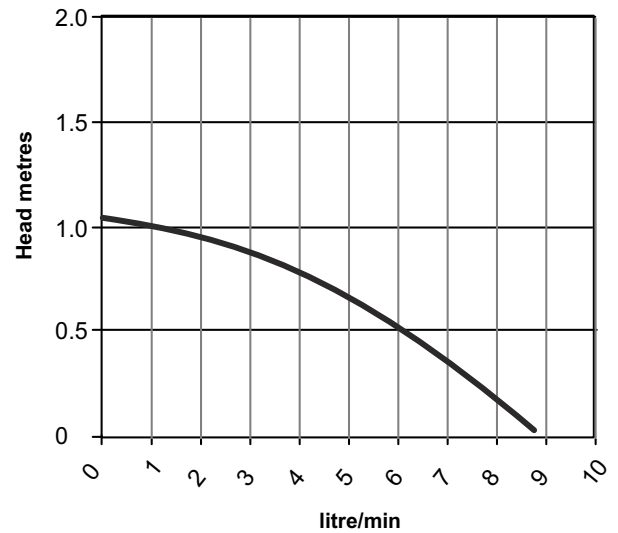


Details may change depending upon the motor specified

PARTS LIST



PERFORMANCE



Tests obtained with water 1.0 SG
50 hz 2900 rpm