



MARCH PUMPS

1819 PICKWICK AVE., GLENVIEW, IL 60026-1306, U.S.A
 PHONE: (847) 729-5300 - FAX: (847) 729-7062
 WWW.MARCHPUMP.COM

809-HS 12 & 24 VDC HOT WATER PUMPS

DESCRIPTION:

March 809 Series hot water booster centrifugal magnetic drive pumps are built to handle liquid transfer in heating and cooling operations. Contact the factory for application assistance.

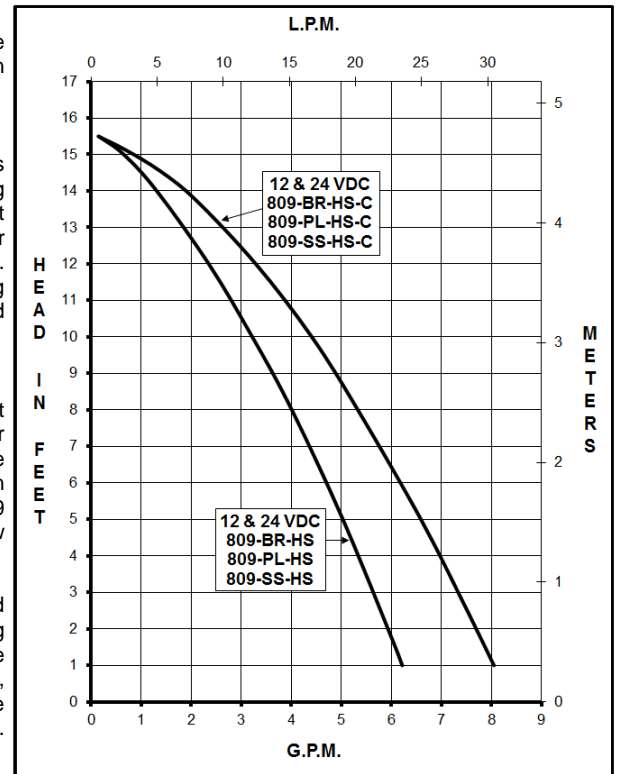
INSTALLATION:

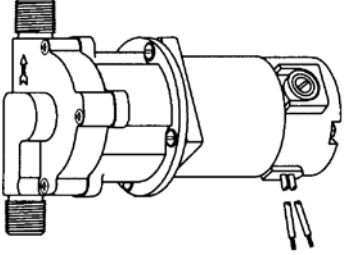
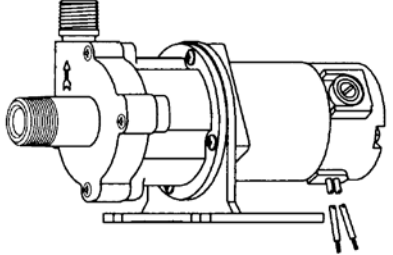
Pumps are not self-priming, lack a suction lift, and thus require a flooded suction. Pumps cannot be run dry. The 809 Series pumps should be installed with the pump housing arrow pointing in the direction of flow within the system. If the arrow indicating flow is not in the direction required, remove the housing screws holding the housing to the motor bracket and rotate the housing assembly as required. Replace the screws and tighten. The pump is composed of a wet end assembly which can be separated by unscrewing the housing screws. The pump will then separate into 2 parts. The liquid will be contained within the wet end assembly unless the screws on the rear housing are loosened.

GENERAL SAFETY INFORMATION:

Follow all local electrical and safety codes, and the Occupational Safety and Health Act (OSHA). Make certain that the power source conforms to the requirements of your equipment. Always disconnect power source before performing any work on or near the electric motor. Caution must be exercised to relieve any pressure in the system and in draining hot water from the pump or the system. March cannot recommend the 809 Series out of bronze where the liquid is used for human consumption per California Law due to the presence of lead.

DISASSEMBLY & REASSEMBLY: The motor can be removed from the wet end assembly without draining the liquid from the system. To do so remove four housing screws and slide the motor assembly away. If parts inside the wet end assembly must be removed, isolate the pump or drain the system. When the system is drained and cool, remove the four screws from the rear of the housing. The rear housing can now be removed. Remaining pump parts can be removed. Replace any worn or damaged parts. Replace the "O" ring anytime the rear housing is removed.

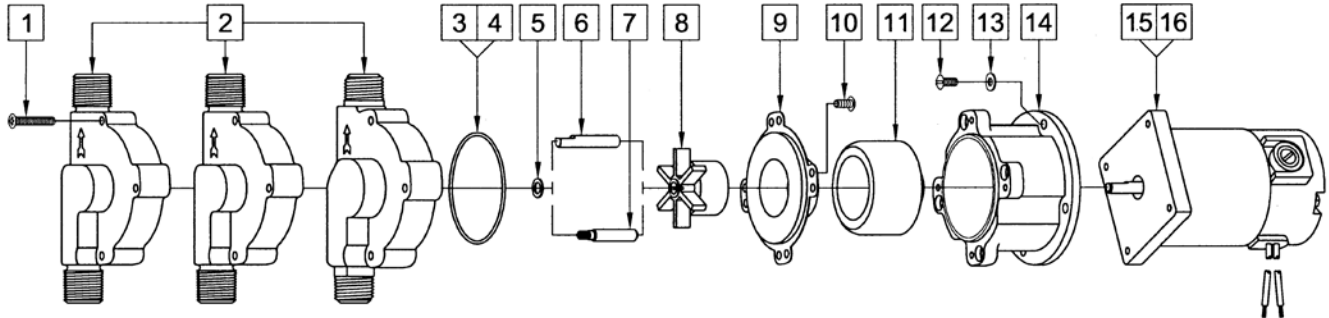


SPECIFICATIONS						
	809-BR-HS	809-PL-HS	809-SS-HS	809-BR-HS-C	809-PL-HS-C	809-SS-HS-C
Model Abbreviations	BR: Bronze	PL: Polysulfone	SS: Stainless	BR: Bronze	PL: Polysulfone	SS: Stainless
	Inline Inlet, HS: High Speed			C: Center Inlet, HS: High Speed		
Max Flow	6 gpm - 22.7 lpm			8 gpm - 30.2 lpm		
Max Head	15.5 ft / 6.7 psi - 4.7 m			15.5 ft / 6.7 psi - 4.7 m		
Inlet	1/2" MPT			3/4" MPT	3/8" FPT & 3/4" MPT	3/4" MPT
Outlet	1/2" MPT			1/2" MPT		
Max Internal Pressure	150 psi / 10 bar	50 psi / 3.4 bar	150 psi / 10 bar	150 psi / 10 bar	50 psi / 3.4 bar	150 psi / 10 bar
Max Liquid Temperature	250°F / 121°C			250°F / 121°C		
Overall Pump Size (H x W x L)	4.87 x 3.31 x 6.94	4.88 x 3.38 x 6.94	4.87 x 3.31 x 6.94	4.69 x 4.50 x 8.33	4.56 x 4.50 x 7.83	4.69 x 4.50 x 8.27
	17.6 x 8.4 x 12.3	17.6 x 8.5 x 12.3	17.6 x 8.4 x 12.3	11.9 x 11.4 x 21.1	11.5 x 11.4 x 19.8	11.9 x 11.4 x 21.0
Packed Weight	5.5 lbs / 2.5kg	4.5 lbs / 2 kg	5.5 lbs / 2.5kg	5.5 lbs / 2.5kg	4.5 lbs / 2 kg	5.5 lbs / 2.5kg
Motor Type	DC Brush Motor 12V		DC Brush Motor 24V	DC Brush Motor 12V		DC Brush Motor 24V
Watts - Amps	43 - 3.5		43 - 1.8	43 - 3.5		43 - 1.8
Hp / Kw - Rpm	1/25 / 0.029 - 3650			1/25 / 0.029 - 3650		
Electrical Connection	Leads (Red lead is positive & Blue lead is negative)			Leads (Red lead is positive & Blue lead is negative)		

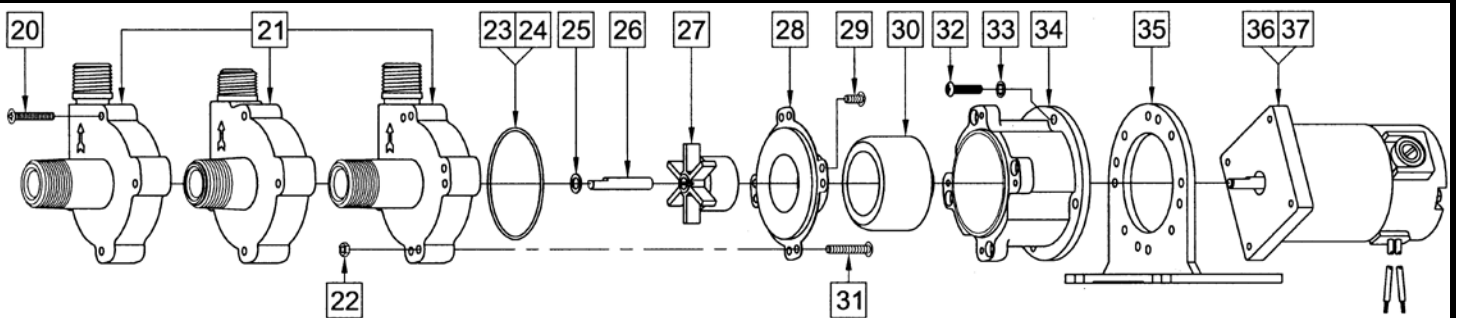
All specifications & data are based on pumping water & are intended as a guideline only. Specifications may vary with different motors.

LIMITED WARRANTY: March pumps are guaranteed only against defects in workmanship or materials for a period of one year from date of manufacture pumping water. For the complete warranty and to register online go to www.marchpump.com/warranty-registration

PARTS LIST



#	DESCRIPTION	809-BR-HS	809-PL-HS	809-SS-HS	SIZE (Inches)	QTY.	809-BR-HS	809-PL-HS	809-SS-HS
1	Screw (Housing)	Steel	Steel	Stainless	#8-32 x 1 Lg.	4	0923-0003-1000		0809-0205-1000
2	Pump Housing	Bronze	Polysulfone	Stainless	Inline Inlet & Outlet	1	0809-0013-0000	0809-0079-0100	0809-0211-0000
3	"O" Ring		Silicone		0.070 CS x 2.441 ID	1	0809-0165-1000		0809-0165-1000
4	"O" Ring		Silicone		1/16 CS x 2-3/8 ID	1		0809-0027-1000	
5	Thrust Washer		Teflon			1		0809-0043-1000	
6	Shaft (Current)		Stainless		"D" Flat	1	0809-0161-1000		
7	Shaft (Old Style)		Stainless		"D" Flat				0809-0161-1000
8	Impeller		Ryton/Teflon/Glass		1-11/16 Dia.	1		0809-0005-0200	
9	Rear Housing		Stainless			1		0809-0012-1000	
10	Screw		Stainless		#8-32 x 3/8 Lg.	4		0135-0040-1000	
11	Drive Magnet				0.250 Bore	1		0125-0083-0100	
12	Screw		Stainless		#8-32 x 1/2 Lg.	4		0150-0015-1000	
13	Washer		Stainless		#8	1		0858-0004-1000	
14	Motor Bracket		Plastic			1		0809-0058-1000	
15	Motor (12VDC Brush)		3650 RPM			1		0809-0101-1000	
16	Motor (24VDC Brush)		3650 RPM			1		0809-0103-1000	



#	DESCRIPTION	809-BR-HS-C	809-PL-HS-C	809-SS-HS-C	SIZE (Inches)	QTY.	809-BR-HS-C	809-PL-HS-C	809-SS-HS-C
20	Screw (Housing)	Steel	Steel	Stainless	#8-32 x 1 Lg.	4	0923-0003-1000		0809-0205-1000
21	Pump Housing	Bronze	Polysulfone	Stainless	Center Inlet	1	0809-0142-0000	0809-0179-0100	0809-0150-0000
22	Hex Nut			Stainless	#8-32	1			0991-0004-1000
23	"O" Ring		Silicone		0.070 CS x 2.441 ID	1	0809-0165-1000		0809-0165-1000
24	"O" Ring		Silicone		1/16 CS x 2-3/8 ID	1		0809-0027-1000	
25	Thrust Washer		Teflon			1		0809-0043-1000	
26	Shaft		Stainless			1		0809-0161-1000	
27	Impeller		Ryton/Teflon/Glass		1-11/16 Dia.	1		0809-0005-0200	
28	Rear Housing		Stainless			1		0809-0012-1000	
29	Screw (Rear Housing)		Stainless		#8-32 x 3/8 Lg.	4	0135-0040-1000		
30	Drive Magnet				0.250 Bore	1		0125-0083-0100	
31	Screw (Rear Housing)			Stainless	#8-32 x 1 Lg.	4			0809-0205-1000
32	Screw		Stainless		#8-32 x 3/4 Lg.	4		0210-0036-1000	
33	Lock Washer		Stainless		#8	4		0620-0010-1000	
34	Motor Bracket		Plastic			1		0809-0058-1000	
35	Base		Plastic			1		0125-0106-1000	
36	Motor (12VDC Brush)		3650 RPM			1		0809-0101-1000	
37	Motor (24VDC Brush)		3650 RPM			1		0809-0103-1000	

NOTE: Contact Factory for other materials and/or parts not listed.

0809-0053-1400 R8