

# HTP-B

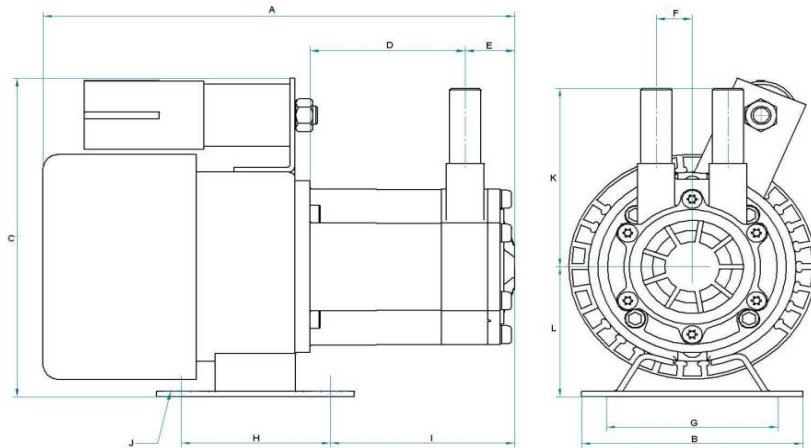
Magnetically Driven

Single-stage Regenerative Turbine

\* Not to scale.  
Specifications are subject to change.  
Dimensions may change depending on motor specified

Wetted materials	
Pump housing	PPS
Impeller	PPS
Spindle	Stainless steel
Thrust Washer	Ceramic
O Ring	Nitrile/EPDM/ Viton/PTFE

Limitations	
Max. temp	100 °C
Max. pressure	7 bar



## Dimensions

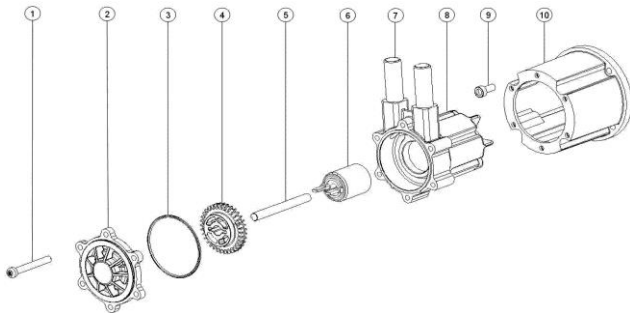
all dimensions in mm	A	B	C	D	E	F	G	H	I	J	K	L	Inlet	Outlet
50 Hz 230V	189.00	89.00	140.00	68.00	20.00	14.50	67.50	60.20	74.00	11.00	79.00	56.00	1/2"	1/2"
50/60 Hz 230V	200.00	89.00	140.00	68.00	20.00	14.50	67.50	60.20	74.00	11.00	79.00	56.00	1/2"	1/2"
50/60 Hz 110V	195.00	89.00	140.00	68.00	20.00	14.50	67.50	60.20	74.00	11.00	79.00	56.00	1/2"	1/2"

## Motor Data

	Code	Frame	Mounting	IP	Phase	rpm	50 Hz Kw	50 Hz Amps	60 Hz rpm	60 Hz Kw	60 Hz Amps	Approvals	Total kg
50 Hz 230V	AF1D6288	56	B34	44	1	2900	0.03	0.7	-	-	-	CE	2.1
50/60 Hz 230V	AF1D6289	56	B34	44	1	2900	0.07	0.7	3400	0.07	0.75	CE UL CSA*	2.1
50/60 Hz 110V	AFD17037	56	B34	44	1	2900	0.03	1.4	3400	0.03	1.5	CE UL CSA*	2.1

\*Manufacturer's UL Number - E46412 and CSA Number - CSA154595

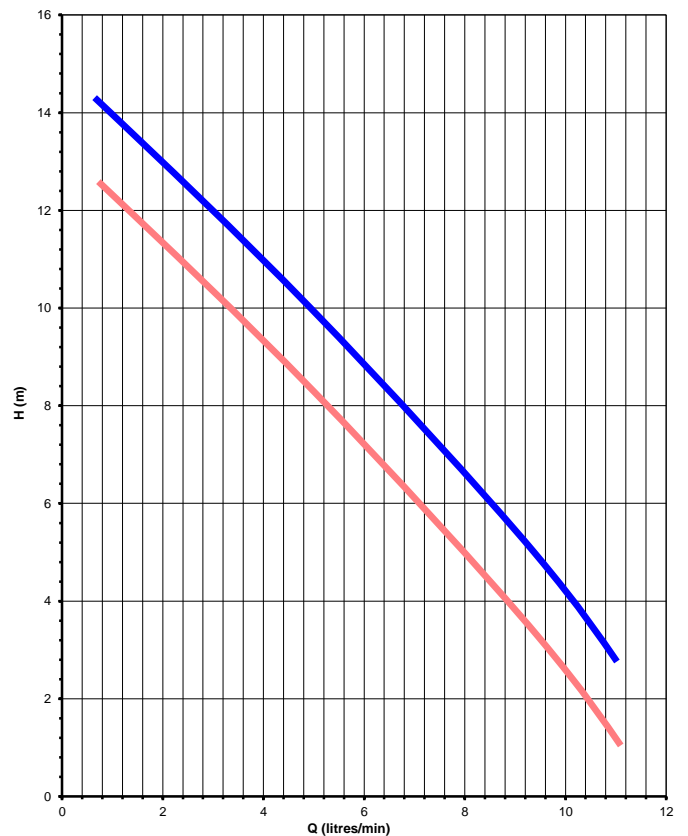
## Parts List



Item	Description	Qty	Code
1	HOUSING SCREW ST/ST	6	5022-2101-50
2	FRONT COVER PPS	1	5025-110-09
3	O RING NITRILE	1	5002-120-30
4	TURBINE PPS	1	5025-131-14
5	SPINDLE ST/ST	1	5025-100-51
6	IMPELLER MAGNET	1	5025-191-08
7	PUMP HOUSING PPS	1	5025-141-09
8	DRIVE MAGNET	1	5025-203-00
9	BRACKET FIXING SCREW	4	5090-512-50CAP
10	MOTOR BRACKET	1	5025-170-01

## Performance

Tests obtained with water 1.0 SG



50 Hz 2900 rpm      60 Hz 3400 rpm

