

# HTP-C-SS

Magnetically Driven

Single-stage Regenerative Turbine

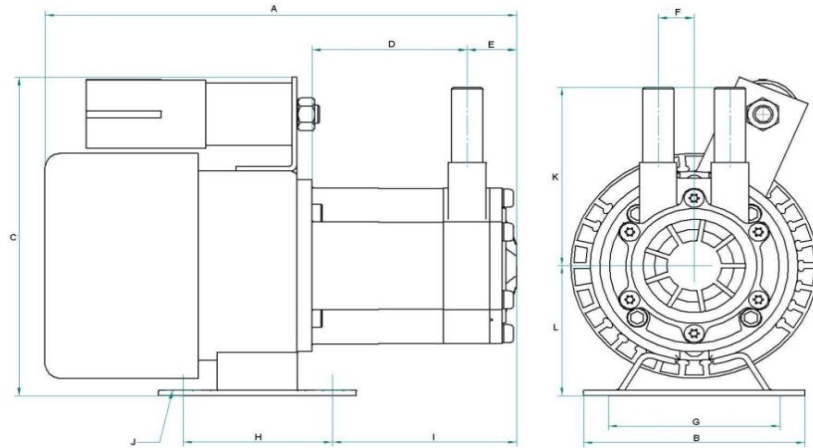
\* Not to scale.  
Specifications are subject to change.  
Dimensions may change depending on motor specified

### Wetted materials

Pump housing	316 SS
Impeller	316 SS
Spindle	316 SS
Thrust Washer	Ceramic
O Ring	Nitrile/EPDM/ Viton/PTFE

### Limitations

Max. temp	150 °C
Max. pressure	300 psi



### Dimensions

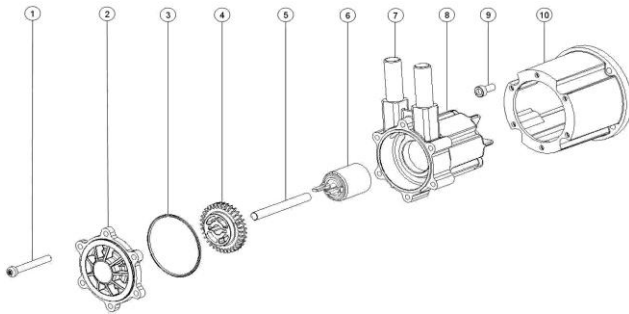
all dimensions in mm	A	B	C	D	E	F	G	H	I	J	K	L	Inlet	Outlet
50/60 Hz 230V	209.00	89.00	140.00	68.00	20.00	14.50	67.50	60.20	74.00	11.00	79.00	56.00	1/2"	1/2"
Rotomatika 50Hz	206.00	89.00	140.00	68.00	20.00	14.50	67.50	60.20	74.00	11.00	79.00	56.00	1/2"	1/2"

### Motor Data

	Code	Frame	Mounting	IP	Phase	rpm	50 Hz Kw	50 Hz Amps	60 Hz rpm	60 Hz Kw	60 Hz Amps	Approvals	Total kg
50/60 Hz 230V	AFIH6457	56	B34	44	1	2900	0.07	0.75	3400	0.09	0.81	CE UL CSA*	2.1
Rotomatika 50Hz	MotEMK4330/2-31ca	56	B35	44	1	2900	0.04	0.7	-	-	-	CE	2.0

\*Manufacturer's UL Number - E46412 and CSA Number - CSA154595

### Parts List



Item	Description	Qty	Code
1	HOUSING SCREW ST/ST	4	5002-120-30
2	FRONT COVER SS	1	5025-110-51
3	O RING NITRILE	1	5002-120-30
4	TURBINE PPS	1	5025-131-14
5	CERAMIC SPINDLE	1	5025-100-70
6	IMPELLER MAGNET	1	5025-100-51
7	PUMP HOUSING SS	1	5025-140-51
8	DRIVE MAGNET	1	5025-201-00
9	BRACKET FIXING SCREW	1	5025-170-01
10	MOTOR BRACKET	1	5090-512-50CAP

### Performance

Tests obtained with water 1.0 SG

