

TE-3P-MD

Magnetically Driven

Single-stage Centrifugal

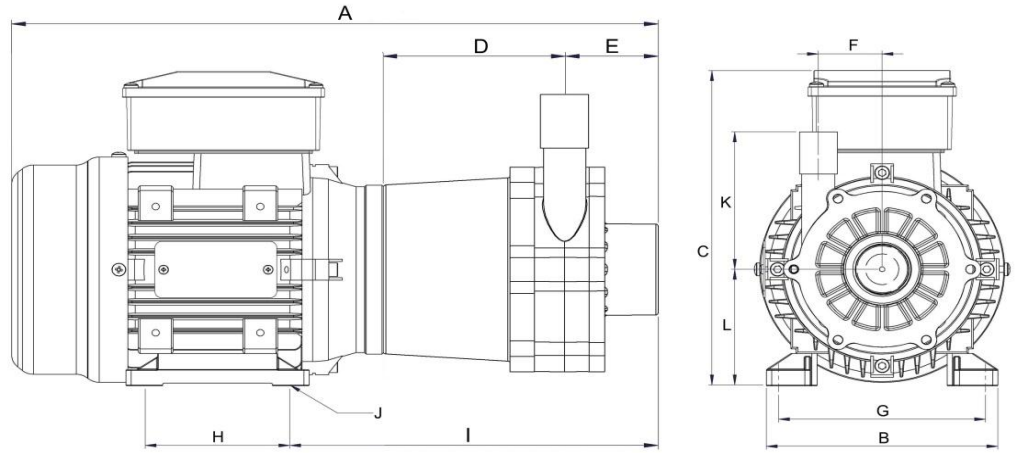
* Not to scale.
Specifications are subject to change.
Dimensions may change depending on motor specified

Wetted materials

| | |
|---------------|---------------|
| Pump housing | Polypropylene |
| Impeller | Polypropylene |
| Spindle | Ceramic |
| Thrust Washer | Ceramic |
| O Ring | Viton |
| Impeller mag | Polypropylene |

Limitations

| | |
|---------------|---------|
| Max. temp | 88 °C |
| Max. pressure | 3.4 bar |



Dimensions

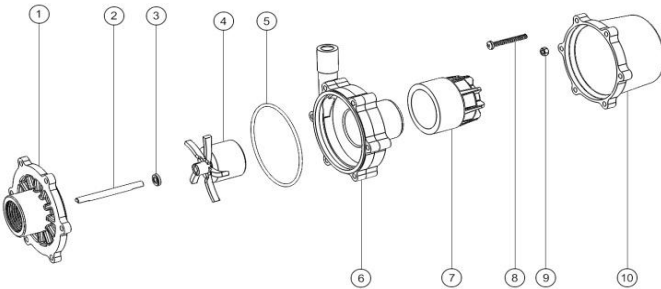
all dimensions in mm

| | A | B | C | D | E | F | G | H | I | J | K | L | Inlet | Outlet |
|------|--------|--------|--------|-------|-------|-------|-------|-------|--------|-------|-------|-------|------------|------------|
| 230V | 274.00 | 118.00 | 144.00 | 70.00 | 31.00 | 29.00 | 98.00 | 72.00 | 137.00 | 7 x10 | 70.00 | 56.00 | 3/4" BSP.F | 1/2" BSP.M |
| 415V | 297.00 | 118.00 | 170.00 | 70.00 | 31.00 | 29.00 | 98.00 | 80.00 | 140.00 | 7 x10 | 70.00 | 56.00 | 3/4" BSP.F | 1/2" BSP.M |
| 110V | 284.00 | 118.00 | 152.00 | 70.00 | 31.00 | 29.00 | 98.00 | 80.00 | 140.00 | 7 x10 | 70.00 | 56.00 | 3/4" BSP.F | 1/2" BSP.M |

Motor Data

| | Code | Frame | Mounting | IP | Phase | rpm | 50 Hz Kw | 50 Hz Amps | 60 Hz rpm | 60 Hz Kw | 60 Hz Amps | Approvals | Total kg |
|------------------|--------------|-------|----------|----|-------|------|-------------|---------------|--------------|-------------|---------------|-----------|-------------|
| Gibb. 230V 50Hz | MY562-2 IP55 | 56 | B34 | 55 | 1 | 2900 | 0.12 | 0.9 | - | - | - | CE | 3.0 |
| Microclutch 110V | 110DA63636 | 56 | B35 | 55 | 1 | 2900 | 0.12 | 2.6 | - | - | - | CE | 3.0 |
| TEC 400V 50/60Hz | | 56 | B34 | 56 | 3 | 2900 | 0.12 | 0.47 | 3400 | 0.14 | 0.47 | CE | 3.2 |

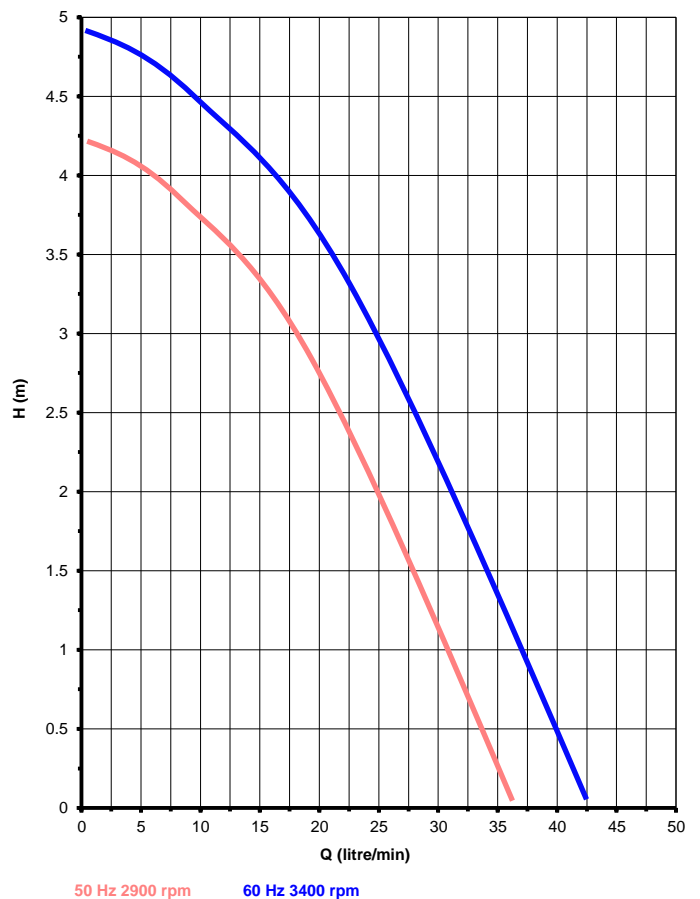
Parts List



| Item | Description | Qty | Code |
|------|-------------------------------|-----|-------------|
| 1 | FRONT COVER PP | 1 | 0130-021-10 |
| 2 | CERAMIC SPINDLE | 1 | 0130-024-UK |
| 3 | CERAMIC THRUST WASHER | 1 | 0130-028-UK |
| 4 | IMPELLER ASSY PP | 1 | 0130-069-02 |
| 5 | VITON 'O' RING | 1 | 0130-033-UK |
| 6 | PUMP HOUSING PP | 1 | 0130-018-10 |
| 7 | DRIVE MAGNET ASSY (9 mm bore) | 1 | 0750-254-00 |
| 8 | HOUSING SCREW ST/STEEL | 6 | 5090-910-50 |
| 9 | HOUSING WASHER ST/STEEL | 6 | |
| 10 | MOTOR BRACKET | 1 | 0001-030-UK |

Performance

Tests obtained with water 1.0 SG



March May Ltd, Howard Road, Eaton Socon, St Neots, PE19 8NZ, UK

Tel: +44 (0) 1480 214444 Fax: +44 (0) 1480 405336 E-Mail: sales@marchmay.co.uk Website: www.marchmay.co.uk