

TE-6K-MD

Magnetically Driven

Single-stage Centrifugal

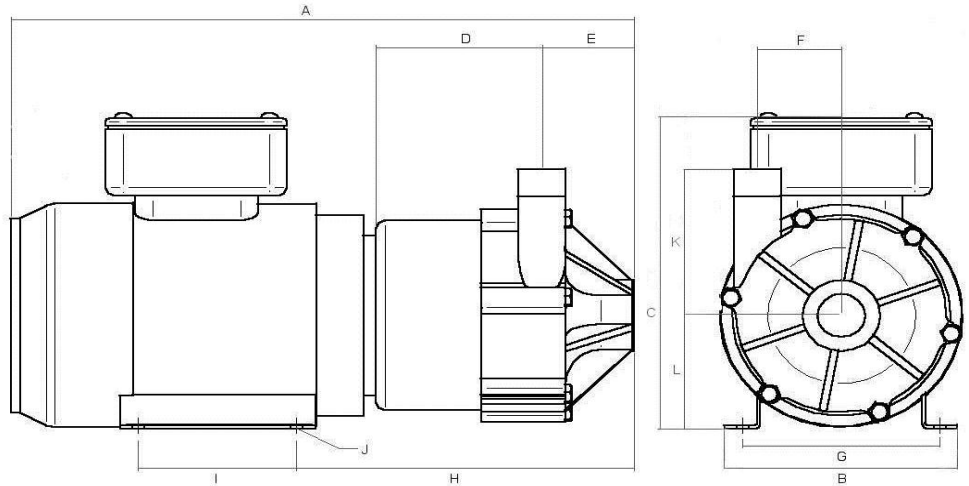
* Not to scale.
Specifications are subject to change.
Dimensions may change depending on motor specified

Wetted materials

Pump housing	PVDF
Impeller	PVDF
Spindle	Ceramic
Thrust Washer	Ceramic
O Ring	Viton

Limitations

Max. temp	93 °C
Max. pressure	5 bar



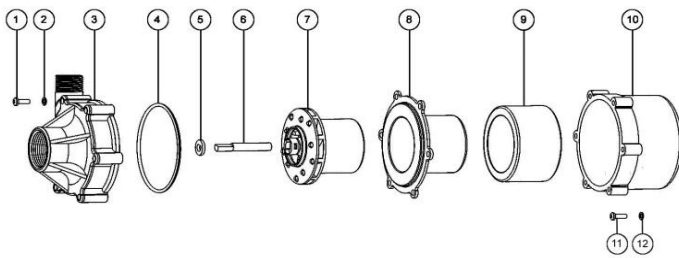
Dimensions

all dimensions in mm	A	B	C	D	E	F	G	H	I	J	K	L	Inlet	Outlet
230V / 415V	357.00	132.00	123.00	94.50	52.40	47.60	112.00	191.90	90.00	7 x10	90.00	71.00	1" BSP.F	3/4" BSP.M
WEG	362.00	132.00	195.00	94.50	52.40	47.60	112.00	191.90	90.00	7 x10	90.00	71.00	1" BSP.F	3/4" BSP.M

Motor Data

	Code	Frame	Mounting	IP	Phase	rpm	50 Hz Kw	50 Hz Amps	60 Hz rpm	60 Hz Kw	60 Hz Amps	Approvals	Total kg
50 Hz 230V	MYT711-20.3721TPC	71	B34	55	1	2800	0.37	2.53	-	-	-	CE	8.0
50/60 Hz 415V	MYT711-20.3723TECA	71	B34	55	3	2800	0.37	1.67	3270	0.44	1.67	CE	7.7
WEG 50/60 Hz	AL71-02	71	B34	55	3	2800	0.37	0.95	3270	0.42	0.91	CE, UR	8.0

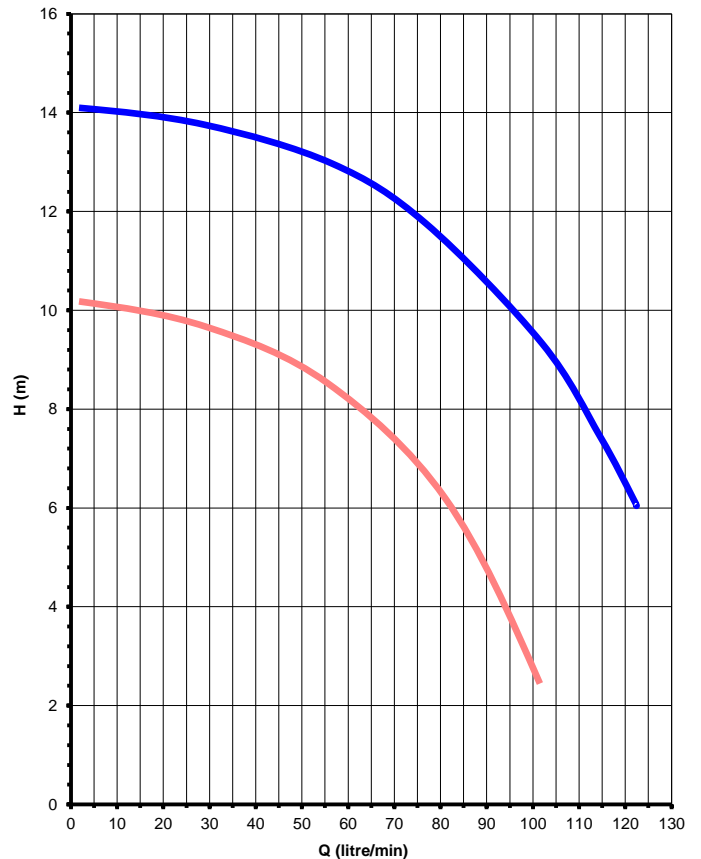
Parts List



Item	Description	Qty	Code
1	HOUSING SCREW ST/STEEL	6	0160-101-UK
2	HOUSING WASHER ST/STEEL	6	0160-201-UK
3	PUMP HOUSING PVDF	1	0153-042-10
4	VITON 'O' RING	1	0153-015-UK
5	CERAMIC SPINDLE	1	0153-007-10
6	CERAMIC THRUST WASHER	1	0155-009-10
7	IMPELLER ASSY KYNAR/RULON BUSH	1	0153-043-07
8	IMPELLER HOUSING PVDF	1	0153-041-01
9	DRIVE MAGNET ASSY (14 mm bore)	1	0153-035-02
10	MOTOR BRACKET	1	0001-060-UK
11	BRACKET FIXING SCREWS	4	0160-100-UK
12	BRACKET FIXING WASHERS	4	0160-200-UK

Performance

Tests obtained with water 1.0 SG



50 Hz 2900 rpm 60 Hz 3400 rpm

