



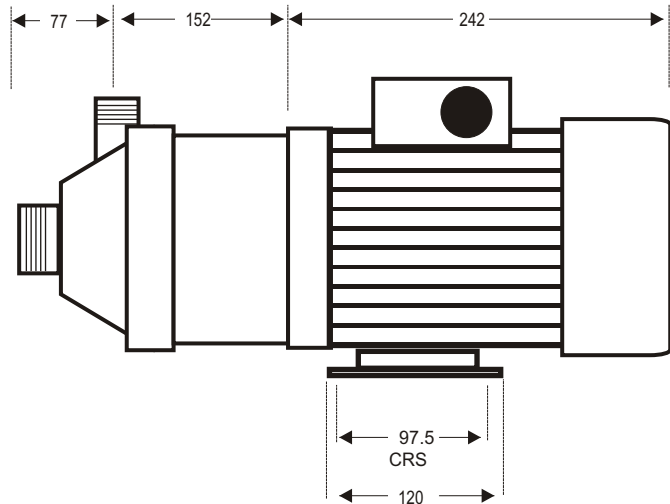
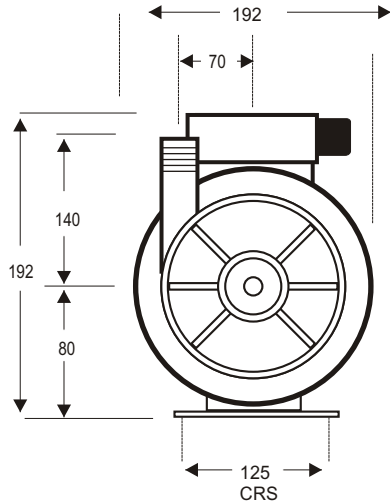
# TE-7.5K-MD

## DIMENSIONAL SCHEMATIC, PERFORMANCE AND PARTS LIST

### DIMENSIONS mm

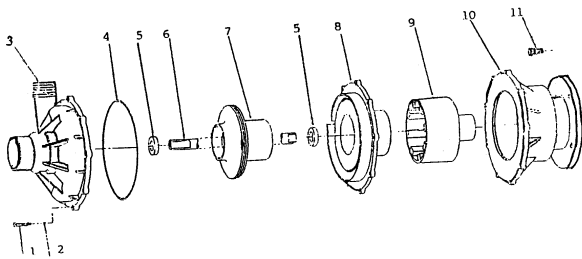
not to scale  
specifications are subject to change

Inlet: 2" NPT.M  
Outlet: 1" 1/2" NPT.M



Details may change depending upon the motor specified

### PARTS LIST



1	HOUSING SCREWS ST/STEEL	8	0160-101-UK
2	HOUSING WASHERS ST/STEEL	8	0160-201-UK
3	FRONT HOUSING BSP	1	0156-044-10
4	VITON 'O' RING	1	0156-010-UK
5	THRUST WASHER CERAMIC EACH	2	0156-016-10
6	IMPELLER SHAFT CERAMIC	1	0156-007-10
7	IMPELLER ASSY C/W CARBON BUSH	1	0156-004-02
8	REAR HOUSING KYNAR	1	0156-002-10
9	DRIVE MAGNET ASSY	1	0156-009-01
10	MOTOR CONN BRACKET (RYTON)	1	0156-041-01
11	BRACKET FIXING SCREWS	4	0156-069-UK
12	NUT	8	5041-140-50
13	WASHER	8	0160-200-UK

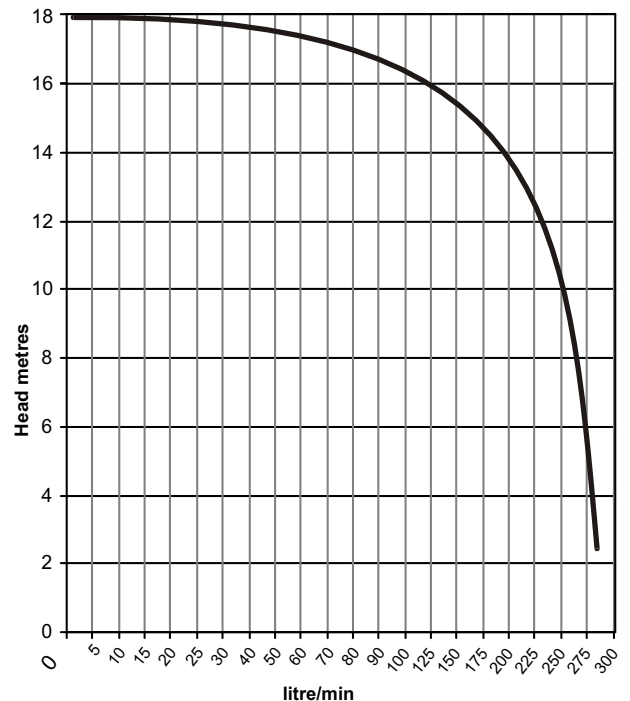
WET END ASSY ITEMS 1-8

0075-333-21

PUMP HEAD ASSY ITEMS 1-11

P075-333-210

### PERFORMANCE



Tests obtained with water 1.0 SG

— 50 hz 2900 rpm