

EMD-4

Magnetically Driven

Single-stage Centrifugal

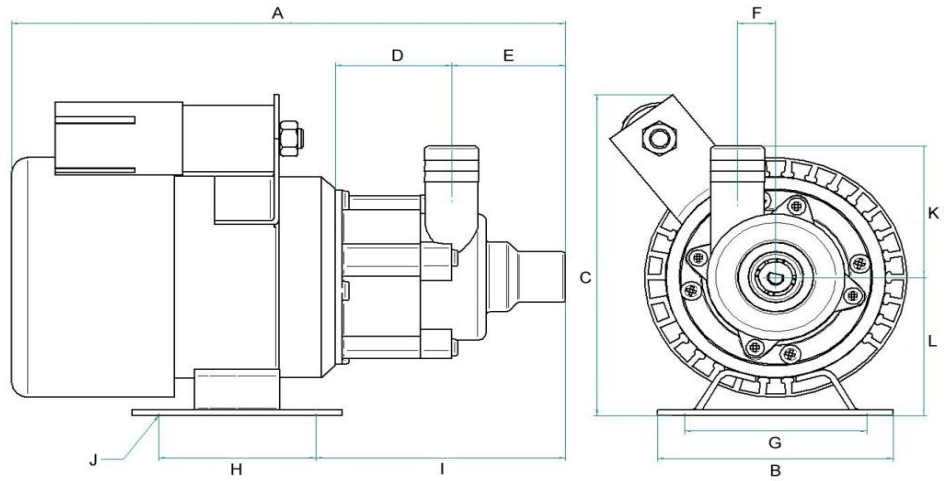
* Not to scale.
Specifications are subject to change.
Dimensions may change depending on motor specified

Wetted materials

| | |
|---------------|-----------------|
| Pump housing | Polypropylene |
| Impeller | Polypropylene |
| Spindle | Ceramic |
| Thrust Washer | Ceramic |
| O Ring | Viton / Nitrile |

Limitations

| | |
|---------------|---------|
| Max. temp | 88 °C |
| Max. pressure | 3.4 bar |



Dimensions

| all dimensions in mm | A | B | C | D | E | F | G | H | I | J | K | L | Inlet | Outlet |
|----------------------|--------|-------|--------|-------|-------|-------|-------|-------|-------|--------|-------|-------|-------|--------|
| 50 Hz 230V | 205.00 | 89.00 | 140.00 | 65.00 | 43.00 | 14.40 | 67.50 | 60.20 | 94.00 | 12 x 8 | 54.00 | 56.00 | * | * |
| 50/60 Hz 230V | 216.00 | 89.00 | 140.00 | 65.00 | 43.00 | 14.40 | 67.50 | 60.20 | 94.00 | 12 x 8 | 54.00 | 56.00 | | |
| 50 Hz 230V SP | 205.00 | 89.00 | 140.00 | 65.00 | 43.00 | 14.40 | 67.50 | 60.20 | 94.00 | 12 x 8 | 54.00 | 56.00 | | |

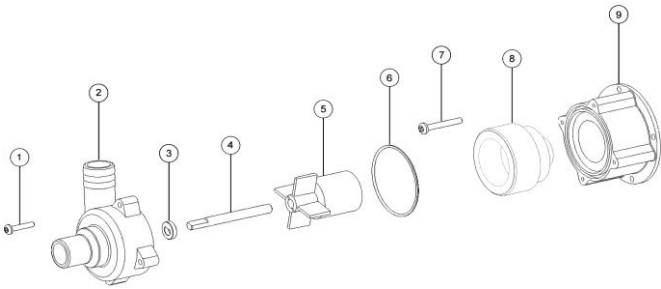
* The are two inlet and outlet options for this pump : 1/2" BSP or 3/4" barbed push fit.

Motor Data

| | Code | Frame | Mounting | IP | Phase | rpm | 50 Hz Kw | 50 Hz Amps | 60 Hz rpm | 60 Hz Kw | 60 Hz Amps | Approvals | Total kg |
|---------------|----------|-------|----------|----|-------|------|----------|------------|-----------|----------|------------|------------|----------|
| 50 Hz 230V | AF1D6288 | 56 | B34 | 44 | 1 | 2900 | 0.03 | 0.7 | - | - | - | CE | 2.0 |
| 50/60 Hz 230V | AF1D6289 | 56 | B34 | 44 | 1 | 2900 | 0.07 | 0.7 | 3400 | 0.07 | 0.75 | CE UL CSA* | 2.0 |
| 50 Hz 230V SP | AB1P6898 | 56 | B34 | 0 | 1 | 2900 | 0.03 | 0.65 | - | - | - | CE | 1.7 |

* Manufacturer's UL Number - E46412 and CSA Number - CSA154595

Parts List



| Item | Description | Qty | Code |
|------|-------------------------------|-----|-------------|
| 1 | PUMP HOUSING SCREW No6 x 3/4" | 4 | 5002-210-50 |
| 2 | PUMP HOUSING PLAIN PP | 1 | 5002-140-01 |
| | PUMP HOUSING THREADED | 1 | 5002-141-01 |
| 3 | CERAMIC THRUST WASHER | 1 | 0130-028-UK |
| 4 | CERAMIC SPINDLE | 1 | 0130-024-UK |
| 5 | IMPELLER ASSEMBLY | 1 | 5002-134-01 |
| 6 | NITRILE 'O' RING | 1 | 5002-120-30 |
| | VITON 'O' RING | 1 | 5002-120-31 |
| 7 | MOTOR SCREW M4 x 30 SS | 4 | 5022-221-50 |
| 8 | DRIVE MAGNET ASSY FERRITE/PPS | 1 | 5002-200-01 |
| 9 | REAR HOUSING PP | 1 | 5002-250-01 |

Performance

Tests obtained with water 1.0 SG

