

EMD-5 BRDC - GR63x25

Magnetically Driven

Single-stage Centrifugal

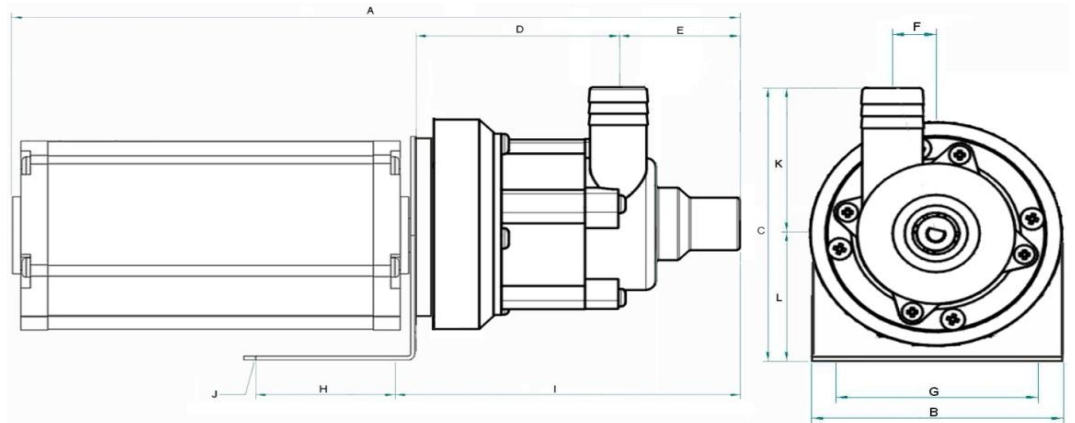
* Not to scale.
Specifications are subject to change.
Dimensions may change depending on motor specified

Wetted materials

Pump housing	Polypropylene
Impeller	Polypropylene
Spindle	Ceramic
Thrust Washer	Ceramic
O Ring	Viton / Nitrile

Limitations

Max. temp	85 °C
Max. pressure	3.0 bar



Dimensions

all dimensions in mm	A**	B	C	D	E	F	G	H	I	J	K	L	Inlet	Outlet
12V DC BR	224.00	82.00	91.50	68.00	43.00	14.50	72.00	45.00	124.50	4 x Ø 7.00	54.00	37.50	*	*

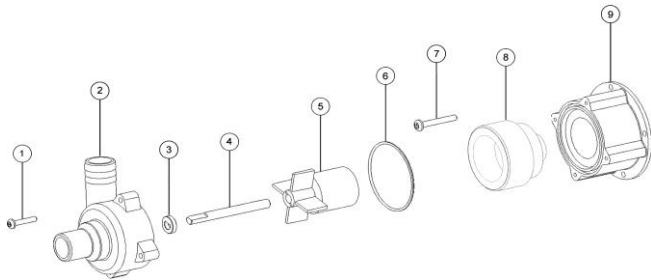
* Ports can be either 1/2" BSP Male or 3/4" barbed male.

** Motor 95 mm tachogenerator 57.5 mm

Motor Data

	Code	Frame	Mounting	IP	Phase	rpm	DC Kw	Amps				Approvals	Total kg
12v	GR 63x25	-	-	54	DC	3100	0.5	5.2	-	-	-	CE / UL	1.2
Mag Pulse Gen	ME 52											CE / UL	80 g

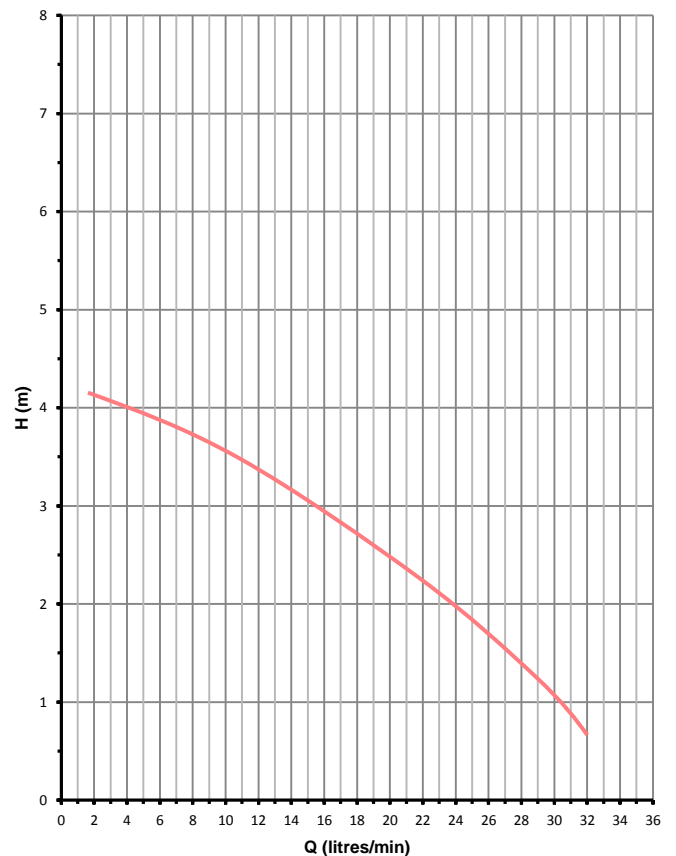
Parts List



Item	Description	Qty	Code
1	PUMP HOUSING SCREW No6 x 3/4"	4	5002-210-50
2	PUMP HOUSING PLAIN PP	1	5002-140-01
	PUMP HOUSING THREADED	1	5002-141-01
3	CERAMIC THRUST WASHER	1	0130-028-UK
4	CERAMIC SPINDLE	1	0130-024-UK
5	IMPELLER ASSEMBLY - 4	1	5002-135-01
6	NITRILE 'O' RING	1	5002-120-30
	VITON 'O' RING	1	5002-120-31
7	MOTOR SCREW M4 x 30 SS	4	5022-221-50
8	DRIVE MAGNET ASSY FERRITE/PPS	1	5002-200-01
9	REAR HOUSING PP	1	5002-250-01

Performance

Tests obtained with water 1.0 SG



3100 rpm

