

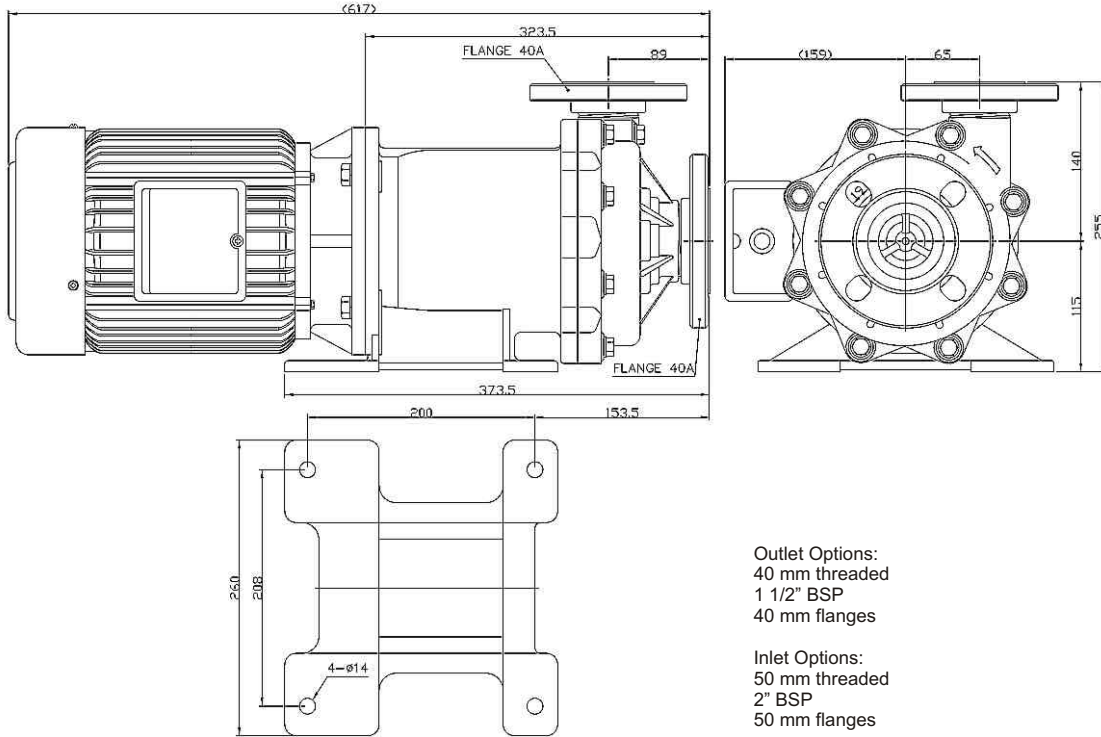


PW-9E-MD 1.2sg

DIMENSIONAL SCHEMATIC AND PERFORMANCE

DIMENSIONS mm

not to scale
specifications are subject to change



Outlet Options:
40 mm threaded
1 1/2" BSP
40 mm flanges

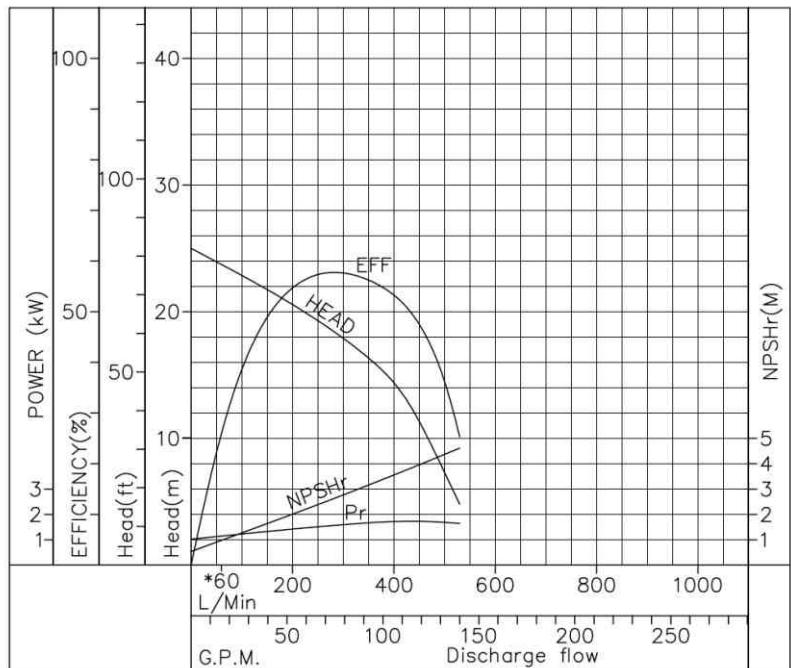
Inlet Options:
50 mm threaded
2" BSP
50 mm flanges

Standard Motor: 2.2 kW

Details may change depending upon the motor specified

PERFORMANCE

Tests obtained
50 hz 2860 rpm
— 1.2 SG
139.5 mm dia impeller



Performance may change depending upon the motor specified