

HTP-C BLDC

Magnetically Driven

Single-stage Regenerative Turbine

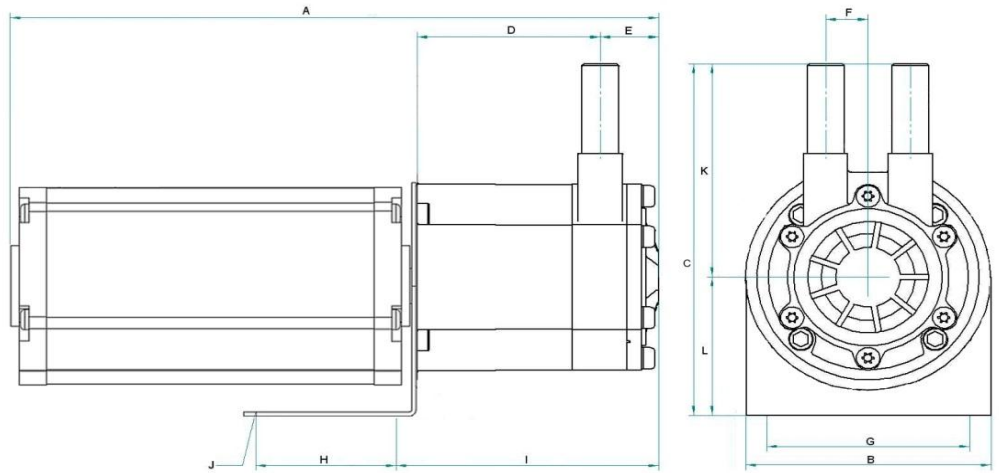
* Not to scale.
Specifications are subject to change.
Dimensions may change depending on motor specified

Wetted materials

Pump housing	Ryton
Impeller	Ryton
Spindle	Ceramic
Thrust Washer	Ceramic
O Ring	Viton

Limitations

Max. temp	88 °C
Max. pressure	3.0 bar



Dimensions

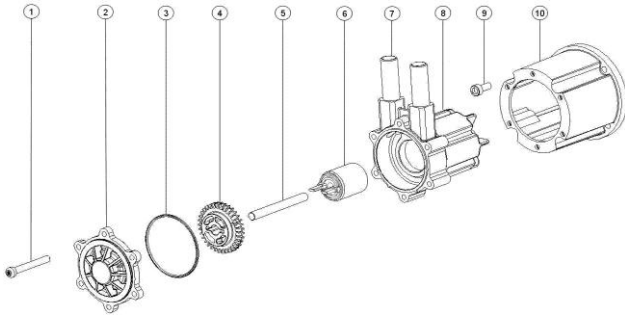
all dimensions in mm	A	B	C	D	E	F	G	H	I	J	K	L	Inlet	Outlet
12V DC BL	180.00	82.00	135.00	68.00	20.00	14.50	72.00	45.00	101.50	4 x Ø 7.00	79.00	56.00	1" BSP F	*
24V DC BL	180.00	82.00	135.00	68.00	20.00	14.50	72.00	45.00	101.50	4 x Ø 7.00	79.00	56.00	1" BSP F	*

* Outlet can be either 1/2" BSP Male or 21mm barbed male.

Motor Data

	Code	Frame	Mounting	IP	Phase	rpm	50 Hz		60 Hz		Approvals	Total kg
							Kw	Amps	rpm	Kw		
12V DC BL	BG 65x25 Ki	-	-	55	1	3100	0.15	8.0	-	-	CE / UL	3.5
24V DC BL	BG 65x25 Ki	-	-	55	1	3100	0.15	4.0	-	-	CE / UL	3.5

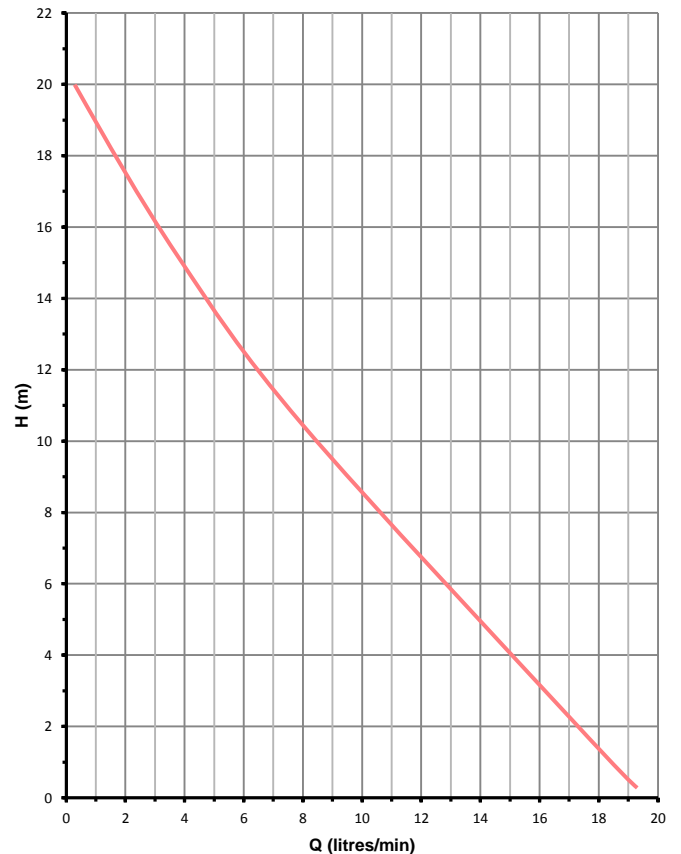
Parts List



Item	Description	Qty	Code
1	HOUSING SCREW ST/ST	4	5002-120-30
2	FRONT COVER PPS	1	5022-2101-50
3	O RING NITRILE	1	5002-120-30
4	TURBINE PPS	1	5025-131-14
5	SPINDLE ST/ST	1	5025-191-08
6	IMPELLER MAGNET	1	5025-100-51
7	PUMP HOUSING PPS	1	5025-141-09
8	DRIVE MAGNET	1	5025-201-00
9	BRACKET FIXING SCREW	1	5025-170-01
10	MOTOR BRACKET	1	5090-512-50CAP

Performance

Tests obtained with water 1.0 SG



March May Ltd, Howard Road, Eaton Socon, St Neots, PE19 8NZ, UK

Tel: +44 (0) 1480 914444 Fax: +44 (0) 1480 405336 E-Mail: sales@marchmay.co.uk Website: www.marchmay.co.uk