

HTP-C-SS BLDC

Magnetically Driven

Single-stage Regenerative Turbine

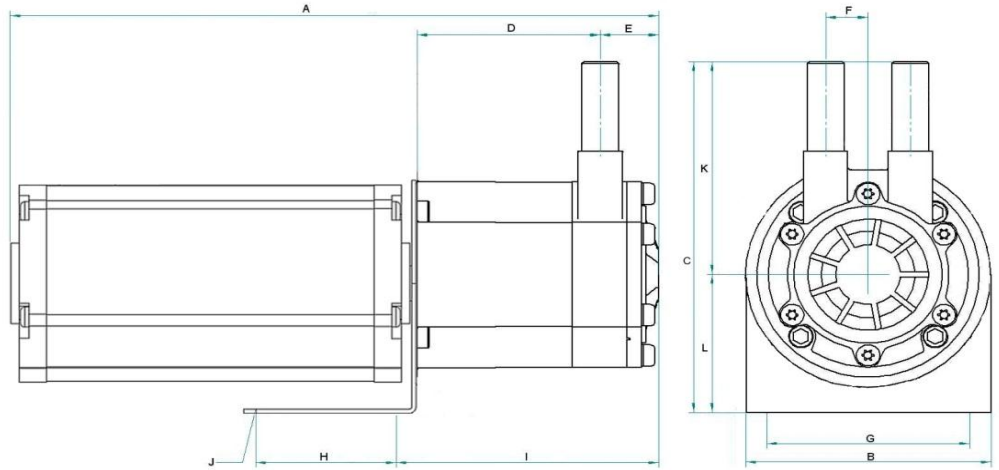
* Not to scale.
Specifications are subject to change.
Dimensions may change depending on motor specified

Wetted materials

Pump housing	316 st/st
Impeller	Ryton
Spindle	316 st/st
Thrust Washer	Ceramic
O Ring	Viton

Limitations

Max. temp	120 °C
Max. pressure	10 bar



Dimensions

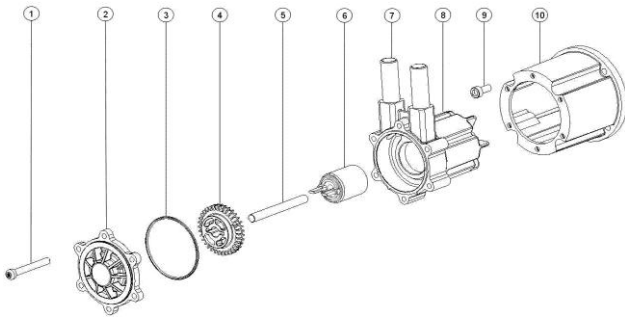
all dimensions in mm	A	B	C	D	E	F	G	H	I	J	K	L	Inlet	Outlet
12V DC BL	180.00	82.00	135.00	68.00	20.00	14.50	72.00	45.00	101.50	4 x Ø 7.00	79.00	56.00	1" BSP F	*
24V DC BL	180.00	82.00	135.00	68.00	20.00	14.50	72.00	45.00	101.50	4 x Ø 7.00	79.00	56.00	1" BSP F	*

* Outlet can be either 1/2" BSP Male or 21mm barbed male.

Motor Data

	Code	Frame	Mounting	IP	Phase	rpm	50 Hz Kw	50 Hz Amps	60 Hz rpm	60 Hz Kw	60 Hz Amps	Approvals	Total kg
12V DC BL	BG 65x25 Ki	-	-	55	1	3100	0.15	8.0	-	-	-	CE / UL	3.5
24V DC BL	BG 65x25 Ki	-	-	55	1	3100	0.15	4.0	-	-	-	CE / UL	3.5

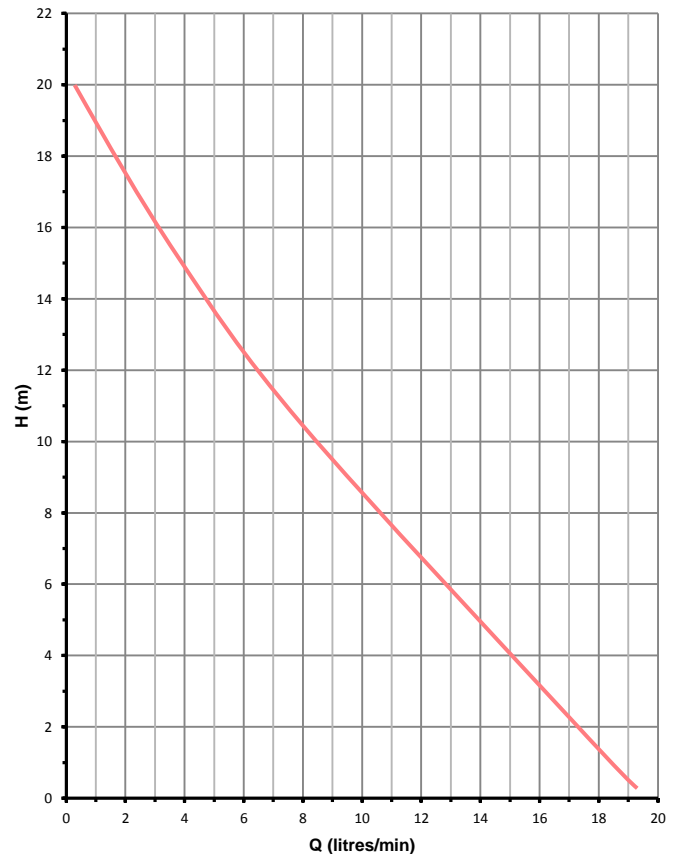
Parts List



Item	Description	Qty	Code
1	HOUSING SCREW ST/ST	4	5002-120-30
2	FRONT COVER PPS	1	5022-2101-50
3	O RING NITRILE	1	5002-120-30
4	TURBINE PPS	1	5025-131-14
5	SPINDLE ST/ST	1	5025-191-08
6	IMPELLER MAGNET	1	5025-100-51
7	PUMP HOUSING PPS	1	5025-141-09
8	DRIVE MAGNET	1	5025-201-00
9	BRACKET FIXING SCREW	1	5025-170-01
10	MOTOR BRACKET	1	5090-512-50CAP

Performance

Tests obtained with water 1.0 SG



3100 rpm



March May Ltd, Howard Road, Eaton Socon, St Neots, PE19 8NZ, UK

Tel: +44 (0) 1480 214444 Fax: +44 (0) 1480 405336 E-Mail: sales@marchmay.co.uk Website: www.marchmay.co.uk