

\* Not to scale.  
Specifications are subject to change.  
Dimensions may change depending on motor specified

### Technical Information

Pump Housing:	Glass filled Ryton
Turbine:	PTFE filled Ryton
Agitator:	Nylon - 3 blade
O Rings:	Nitrile
Lip Seal:	Nitrile
Vapour seal:	Nitrile
Seal Plate/Mounting Plate Seal:	Silicone
Mounting Plate/Motor Seal:	Silicone
Inlet/Outlet Tubes:	Cross linked polyethene tube with K-Flex insulation 6 x 12mm
Mounting Plate:	Standard polypropylene euro plate Part Number - 5022-546-01
Motor:	AO Smith 30 watts 230 V 50 Hz 2 $\mu$ F capacitor with hot melt secure cap 0.3 m lead Class 1 windings
Max. temp	100 °C
Max. pressure	300 psi

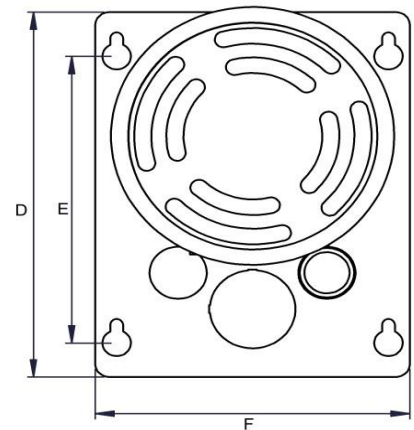
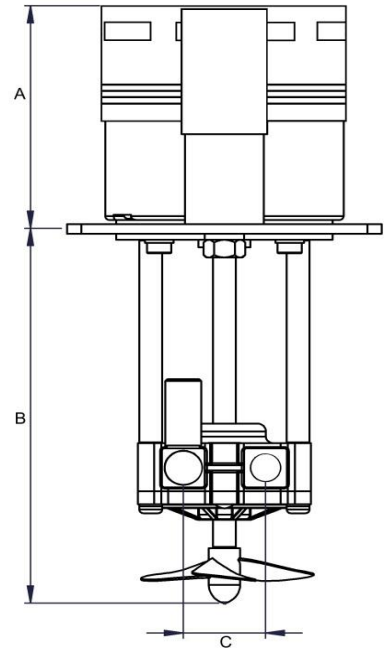
### Motor data

	Code	Frame	Mounting	IP	Phase	Approvals
50 Hz 230 V	AF1B7088	56	B14	55	1	CE

	50 Hz			60Hz			Kg
	rpm	kW	Amps	rpm	kW	Amps	
50 Hz 230 V	2900	0.03	0.28	-	-	-	2.5

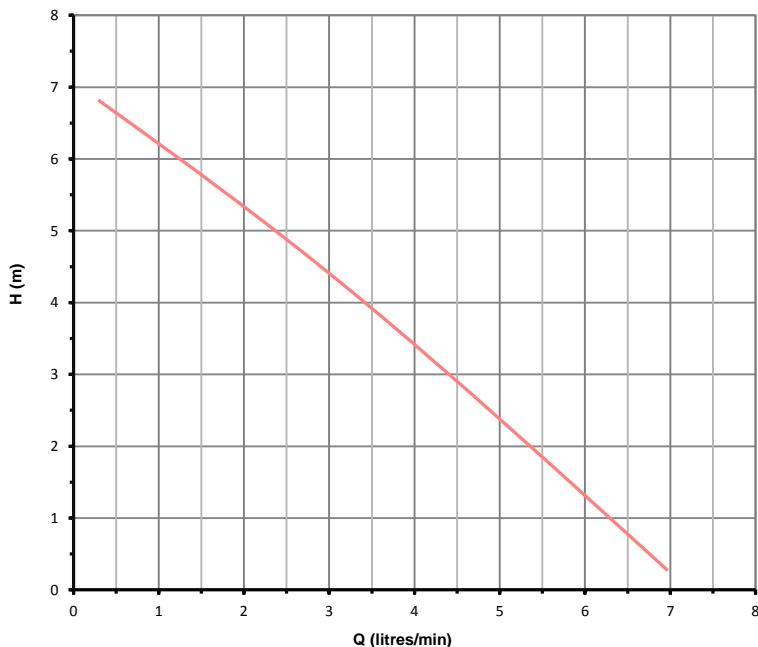
### Dimensions

all dimensions in mm	A	B	C	D	E	F
Short Version	85.00	145.00	29.00	140.00	110.00	110.00
Tall version	85.00	190.00	29.00	140.00	110.00	110.00



### Performance

Tests obtained with water 1.0 SG



50 Hz 2900 rpm

