

* Not to scale.
 Specifications are subject to change.
 Dimensions may change depending on
 motor specified

Technical Information

Pump Housing:	Glass filled Ryton
Turbine:	PTFE filled Ryton
Agitator:	Nylon - 3 blade
O Rings:	Nitrile
Lip Seal:	Nitrile
Vapour seal:	Nitrile
Seal Plate/Mounting Plate Seal:	Silicone
Mounting Plate/Motor Seal:	Silicone
Inlet/Outlet Tubes:	Cross linked polyethene tube with K-Flex insulation 6 x 12mm
Mounting Plate:	Standard polypropylene euro plate Part Number - 5022-546-01
Motor:	AO Smith 40 watts 2 pole 230 V 50 Hz 2 µF capacitor with hot melt secure cap 0.8 m lead Class 1 windings
Max. temp	100 °C
Max. pressure	300 psi

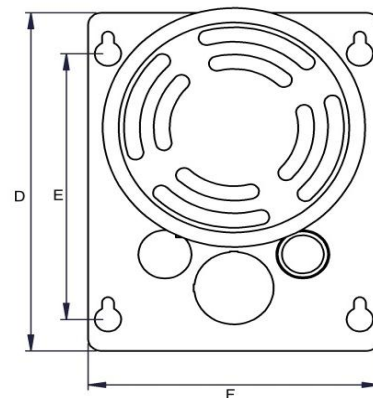
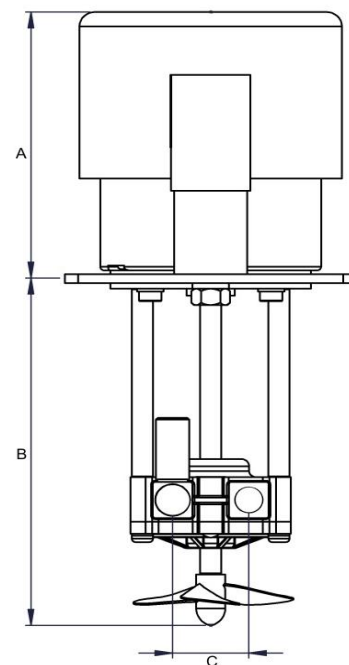
Motor data

	Code	Frame	Mounting	IP	Phase	Approvals
50 Hz 230 V	AF1J7101	56	B14	55	1	CE

	50 Hz			60Hz			Kg
	rpm	kW	Amps	rpm	kW	Amps	
50 Hz 230 V	2900	0.04	0.7	-	-	-	3.0

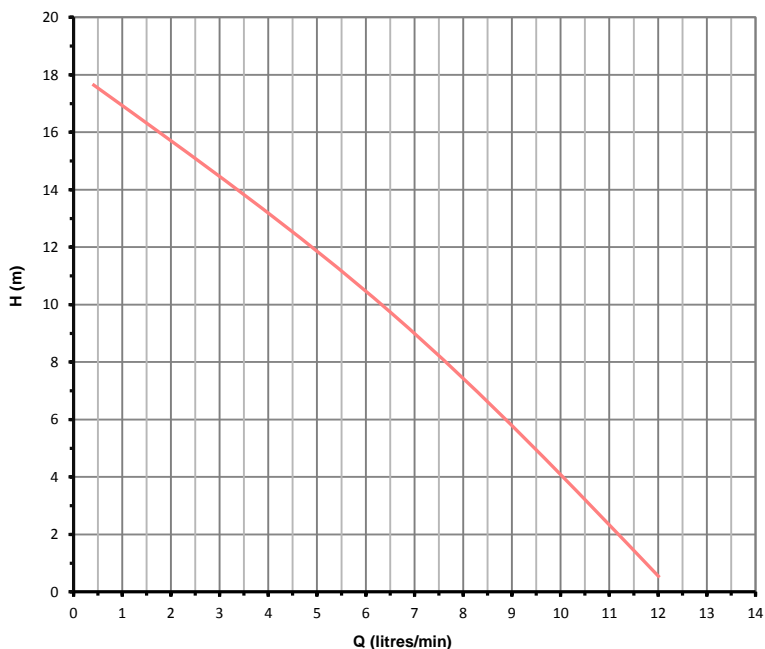
Dimensions

all dimensions in mm	A	B	C	D	E	F
Short Version	124.00	145.00	29.00	140.00	110.00	110.00
Tall version	124.00	190.00	29.00	140.00	110.00	110.00



Performance

Tests obtained with water 1.0 SG



50 Hz 2900 rpm

