

# 809-BR-HS



MAGNETICALLY DRIVEN, SINGLE-STAGE CENTRIFUGAL

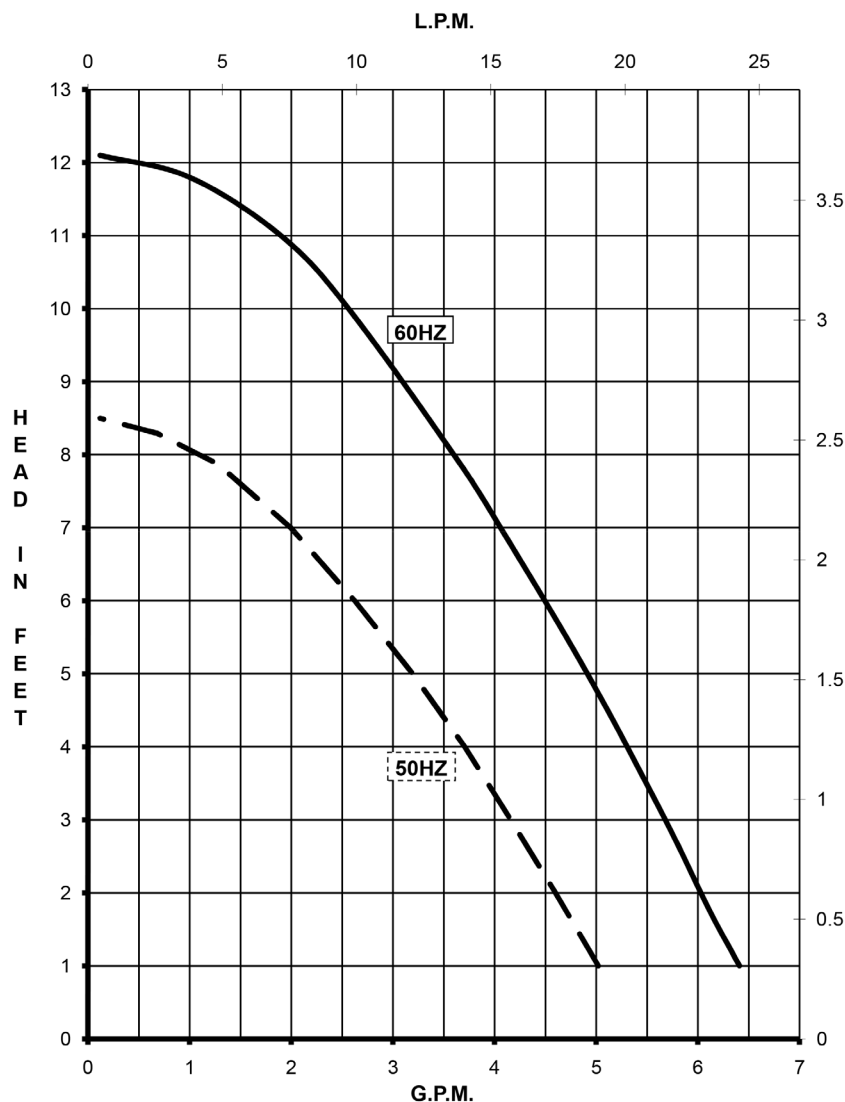


PLEASE NOTE THAT PUMP MAY DIFFER FROM PRODUCT SHOWN

- ☑ Seal-less Magnetic drive pump
- ☑ Up to 18.9l/min flow
- ☑ Up to 2.5m head
- ☑ Available in 230v and 115v
- ☑ Extensively used in hot water systems, solar heating, and fryers

## PERFORMANCE

## SPECIFICATION



## FEATURES

Temp:	Max 121°C
Pressure:	10.3 Bar (System)
Inlet:	1/2" MPT
Outlet:	1/2" MPT

## WETTED MATERIALS

Front Cover:	Bronze
O Ring:	Silicone
Shaft:	Stainless
Thrust Washer:	Teflon
Impeller/Magnet:	Polysulfone
Rear Housing:	Stainless Steel



March May Ltd, Howard Road, Eaton Socon, St. Neots, Cambridgeshire, PE19 8NZ, UK

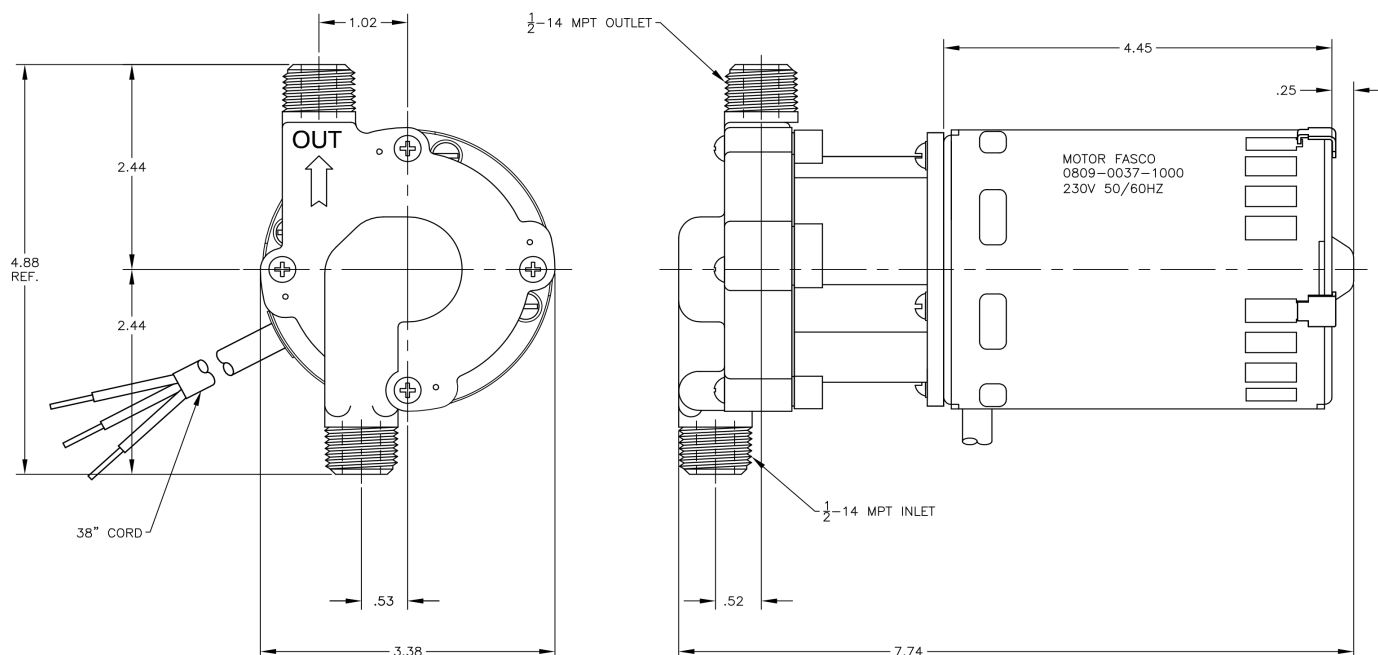
Tel: +44 (0) 1480 214444 Fax: +44 (0) 1480 405336 E-mail: sales@marchmay.co.uk Website: www.marchmay.co.uk

# 809-BR-HS



MAGNETICALLY DRIVEN, SINGLE-STAGE CENTRIFUGAL

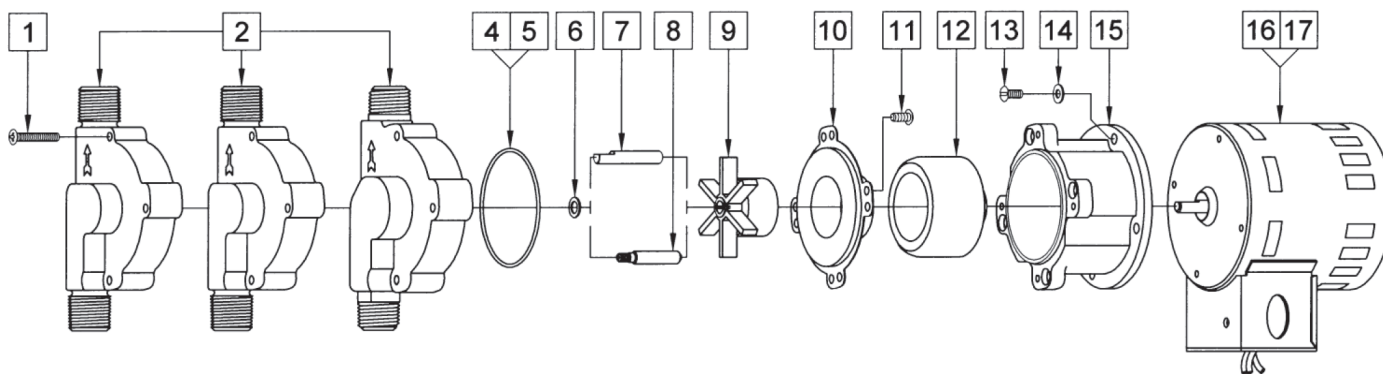
## DIMENSIONS



NOMINAL MOTOR SPEED: 3500RPM

ALL DIMENSIONS GIVEN ARE IN INCHES

## PARTS LIST



REF	DESCRIPTION	CODE	REF	DESCRIPTION	CODE
1	Screw	0923.003-10	9	Impeller	0809-005-01
2a	Front Cover (PL)	N/A	10	Rear Housing	0809-012-10
2b	Front Cover (BR)	0809-013-00	11	Screw	0135-040-10
2c	Front Cover (SS)	N/A	12	Drive Magnet	0125-083-01
4	O Ring	0809-165-10	13	Screw	0135-040-10
5	O Ring - Option	Contact For Details	14	Washer	0858-004-10
6	Thrust Washer	0809-043-10	15	Motor Bracket	0809-058-10
7	Shaft	N/A	16	Motor 115V	Contact For Details
8	Shaft (BR & SS)	0809-214-10	17	Motor 230V	Contact For Details



March May Ltd, Howard Road, Eaton Socon, St. Neots, Cambridgeshire, PE19 8NZ, UK

Tel: +44 (0) 1480 214444 Fax: +44 (0) 1480 405336 E-mail: sales@marchmay.co.uk Website: www.marchmay.co.uk