

# 809-PL-HS-C 12V & 24V



MAGNETICALLY DRIVEN, SINGLE-STAGE CENTRIFUGAL

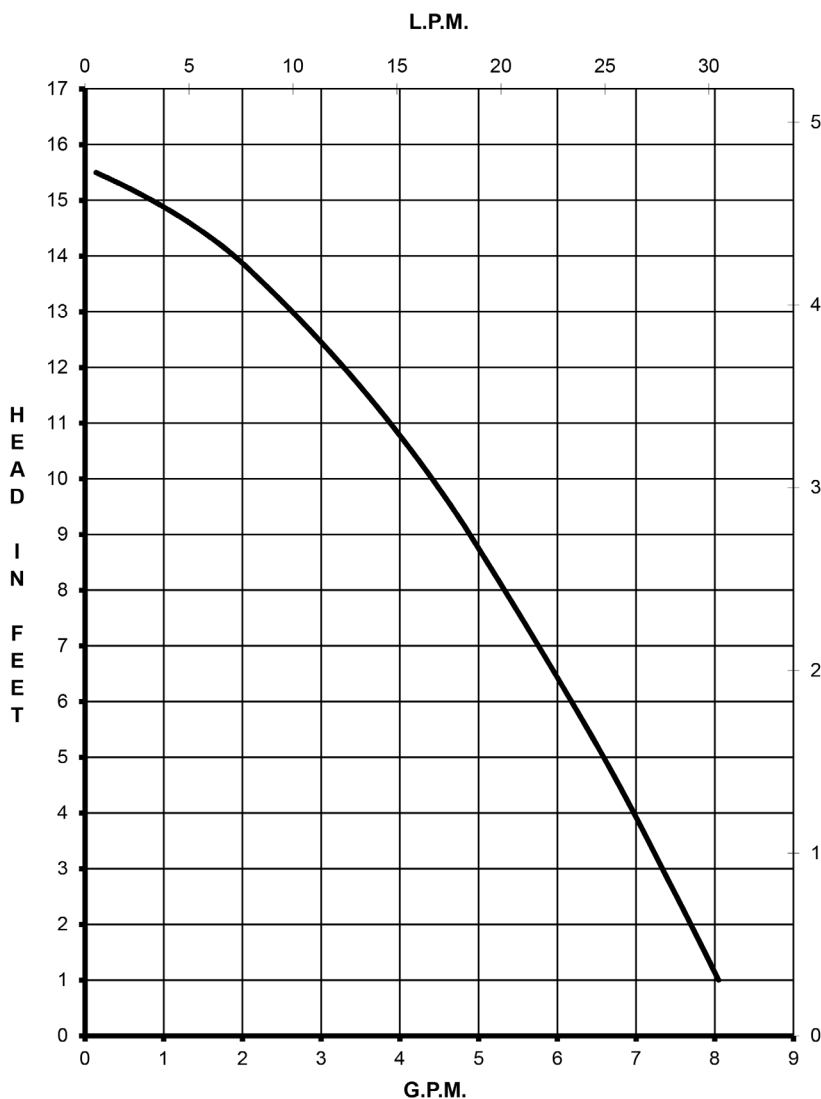
PLEASE NOTE THAT PUMP MAY DIFFER FROM PRODUCT SHOWN



- Seal-less Magnetic drive pump
- Up to 30.2l/min flow
- Up to 4.7m head
- Available in 12V or 24V supply
- Extensively used in hot water systems, solar heating, and fryers

## PERFORMANCE

## SPECIFICATION



## FEATURES

Temp:	Max 121°C
Pressure:	3.7 Bar (System)
Inlet:	1/2" MPT
Outlet:	1/2" MPT

## WETTED MATERIALS

Front Cover:	Polysulfone
O Ring:	Silicone
Shaft:	Stainless Steel
Thrust Washer:	Teflon
Impeller/Magnet:	Polysulfone
Rear Housing:	Stainless Steel



March May Ltd, Howard Road, Eaton Socon, St. Neots, Cambridgeshire, PE19 8NZ, UK

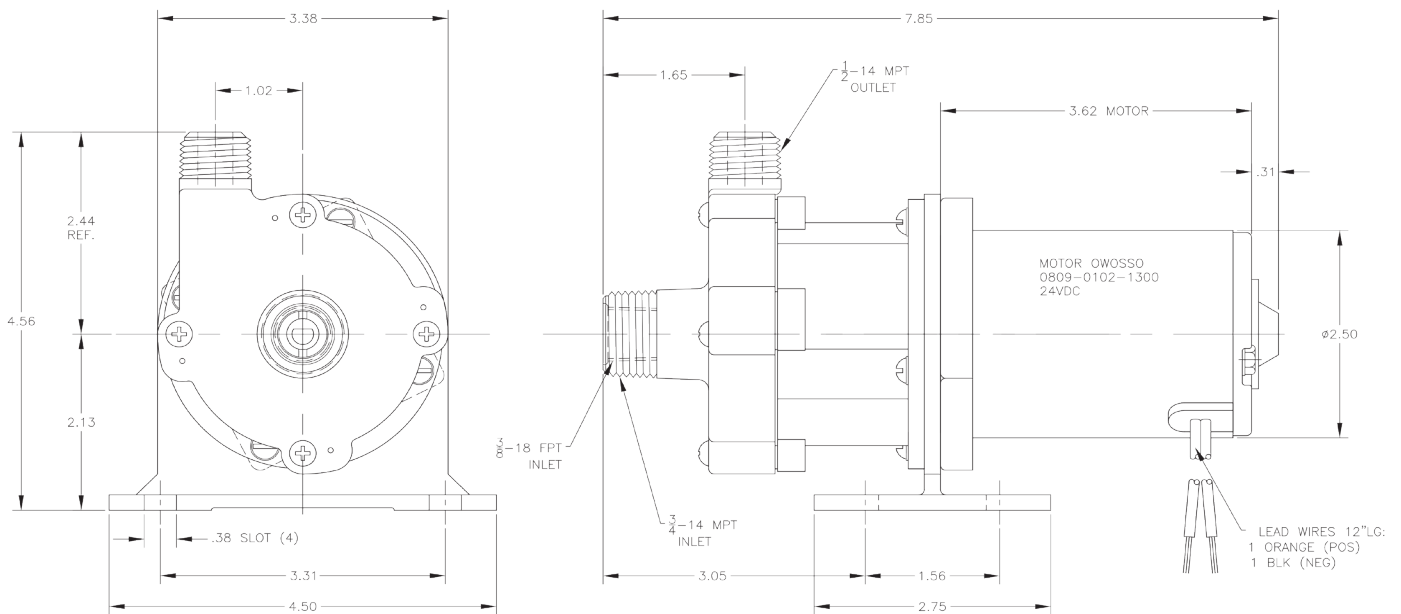
Tel: +44 (0) 1480 214444 Fax: +44 (0) 1480 405336 E-mail: sales@marchmay.co.uk Website: www.marchmay.co.uk

# 809-PL-HS-C 12V & 24V



MAGNETICALLY DRIVEN, SINGLE-STAGE CENTRIFUGAL

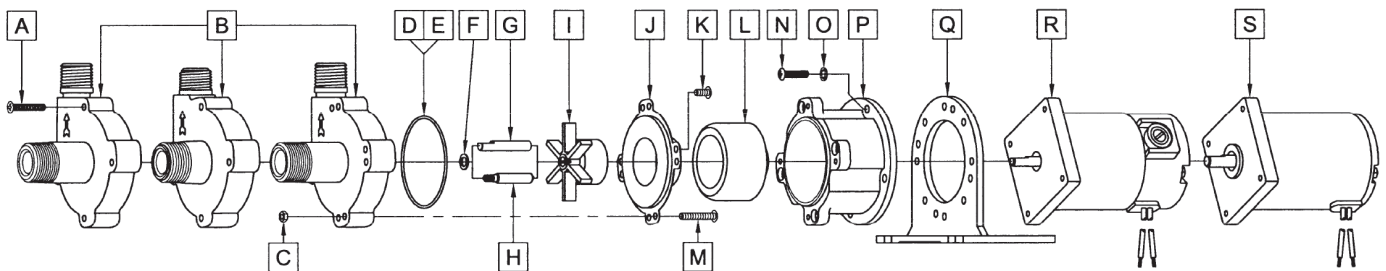
## DIMENSIONS



NOTE:  
1. NOMINAL MOTOR SPEED: 1750RPM  
2. WITHOUT REPLACEABLE BRUSHES

ALL DIMENSIONS GIVEN ARE IN INCHES

## PARTS LIST



REF	DESCRIPTION	CODE	REF	DESCRIPTION	CODE
A	Screw	0923-003-10	J	Rear Housing	0809-012-10
Bi	Front Cover (PL)	0809-079-01	K	Screw	0135-040-10
Bii	Front Cover (BR)	N/A	L	Drive Magnet	0125-083-01
Biii	Front Cover (SS)	N/A	M	Screw	N/A
C	Hex Nut	N/A	N	Screw	0135-040-10
D	O Ring	0809-027-10	O	Washer	0858-004-10
E	O Ring - Option	Contact For Details	P	Motor Bracket	0809-058-10
F	Thrust Washer	0809-043-10	Q	Base	0125-0106-10
G	Shaft	0809-161-10	R	Motor 12V	Contact For Details
H	Shaft (BR & SS)	N/A	S	Motor 24V	Contact For Details
I	Impeller	0809-005-01			



March May Ltd, Howard Road, Eaton Socon, St. Neots, Cambridgeshire, PE19 8NZ, UK

Tel: +44 (0) 1480 214444 Fax: +44 (0) 1480 405336 E-mail: sales@marchmay.co.uk Website: www.marchmay.co.uk