

# CO/MO 50-200 SERIES



## MECHANICAL SEAL, ROTARY VANE



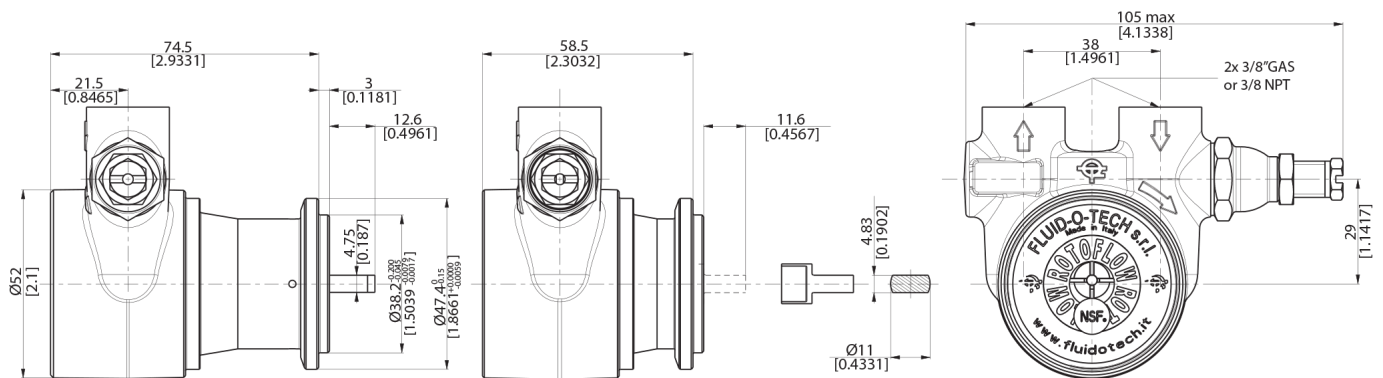
The high volume rotary vane pumps manufactured by Fluid-o-Tech and sold worldwide under the trademark Rotoflow are available in six flow ratings to meet the needs of high volume pumping.

The rotary vane pump with brass or stainless steel body utilises a stainless steel AISI 303 rotor, while the pumping chamber and the vanes are carbon graphite. Inlet and outlet ports are 1/2" GAS or NPT threaded and the pump can be equipped with a built-in adjustable relief valve. The pump can be connected to coupling direct motor with a metallic clamp or to M71 and M80 UNELMEC frame motors with the Fluid-o-Tech coupling and adapter set. Maximum operative temperature: 70°C (158°F)

## SPECIFICATION

### COMPACT PLUS

### COMPACT



Dimensions in mm [inches]

<b>PUMP HOUSING MATERIAL</b>	BRASS OR STAINLESS STEEL	<b>MAX STATIC PRESSURE</b>	20 BAR / 290 PSI
<b>PUMPING CHAMBER</b>	CARBON GRAPHITE	<b>PUMP WEIGHT (CO)</b>	0.85 kg
<b>PORTS</b>	3/8" GAS OR NPT	<b>PUMP WEIGHT (MO)</b>	1 kg
<b>SPEED LIMIT</b>	1725 RPM		



March May Ltd, Howard Road, Eaton Socon, St. Neots, Cambridgeshire, PE19 8NZ, UK

Tel: +44 (0) 1480 214444 Fax: +44 (0) 1480 405336 E-mail: sales@marchmay.co.uk Website: www.marchmay.co.uk

# CO/MO 50-200 SERIES

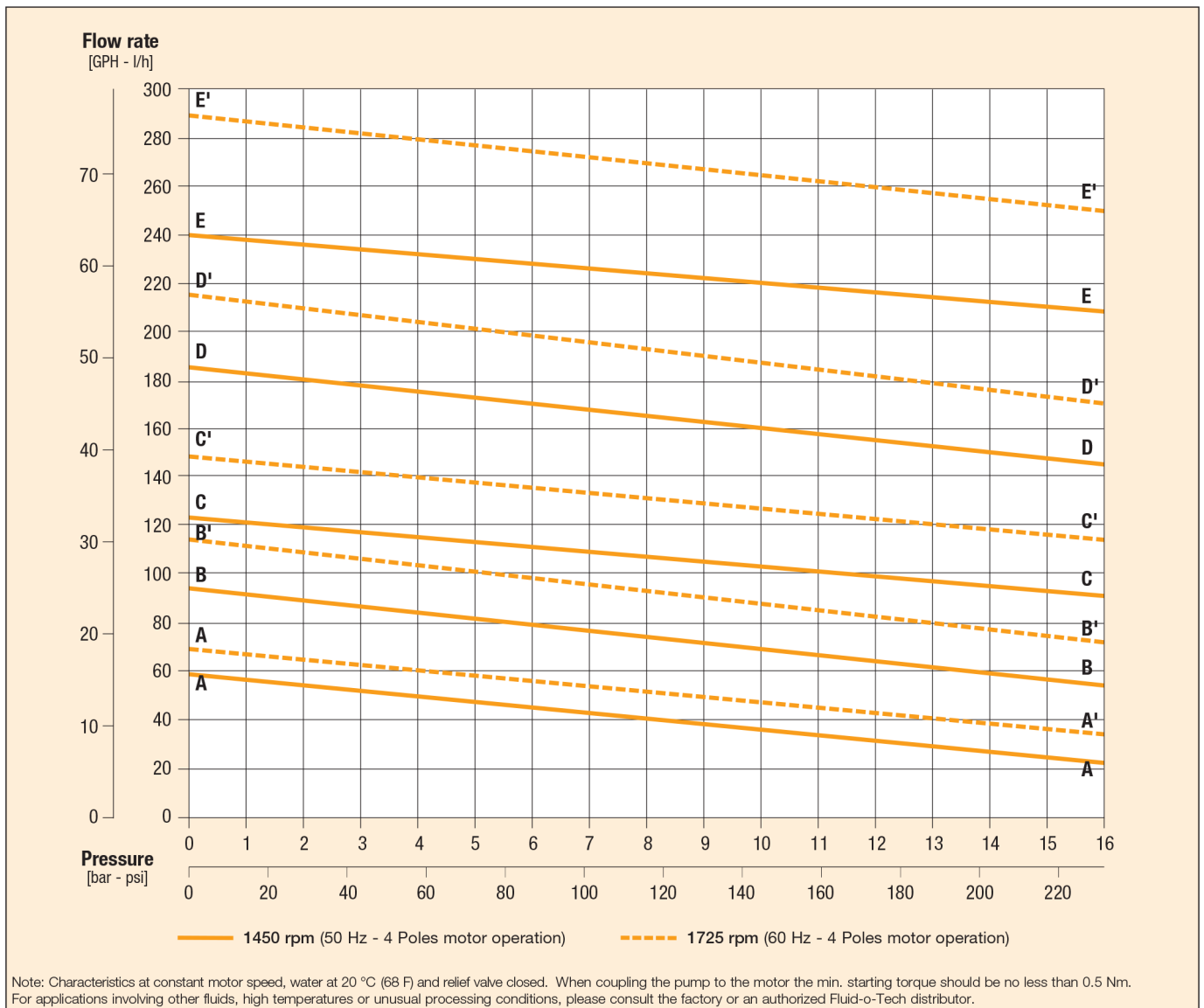


MECHANICALLY SEALED, ROTARY VANE

## PERFORMANCE

Model CO/CA/CW/CB (Compact)	050 051 054	070 071 074	100 101 104	150 151 154	200 201 204
Figure	A-A (50 Hz); A'-A' (60 Hz)	B-B (50 Hz); B'-B' (60 Hz)	C-C (50 Hz); C'-C' (60 Hz)	D-D (50 Hz); D'-D' (60 Hz)	E-E (50 Hz); E'-E' (60 Hz)
Relief valve	NO STD BAL	NO STD BAL	NO STD BAL	NO STD BAL	NO STD BAL

Model MO/MA/MW/MB (Compact Plus)	050 051 054	070 071 074	100 101 104	150 151 154	200 201 204
Figure	A-A (50 Hz); A'-A' (60 Hz)	B-B (50 Hz); B'-B' (60 Hz)	C-C (50 Hz); C'-C' (60 Hz)	D-D (50 Hz); D'-D' (60 Hz)	E-E (50 Hz); E'-E' (60 Hz)
Relief valve	NO STD BAL	NO STD BAL	NO STD BAL	NO STD BAL	NO STD BAL



March May Ltd, Howard Road, Eaton Socon, St. Neots, Cambridgeshire, PE19 8NZ, UK

Tel: +44 (0) 1480 214444 Fax: +44 (0) 1480 405336 E-mail: sales@marchmay.co.uk Website: www.marchmay.co.uk