

GA SERIES



MECHANICAL SEAL, ROTARY VANE



The GA pump-motor unit has been design to extend the Fluid-o-Tech rotary vane pump range to the low flow rates.

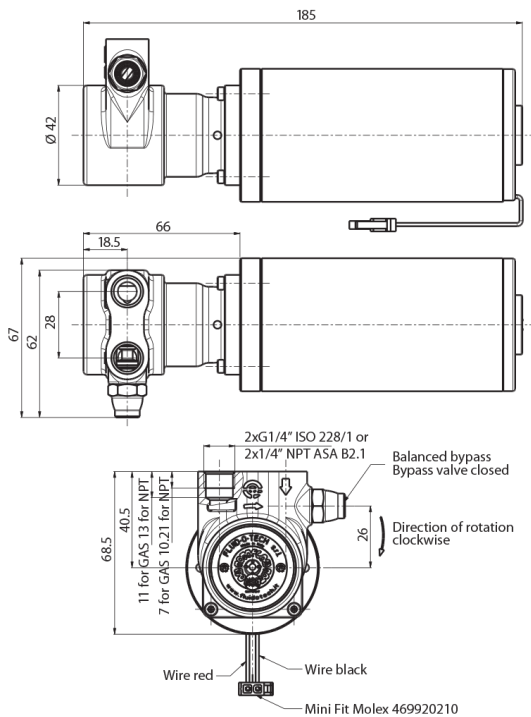
Couples to a compact but powerful 24 V DC brush or brushless motor, the unit has been designed to deliver a maximum pressure of 10 bar (145 PSI) and grant a long service life while fitting in tight spaces.

The pump has a stainless steel housing and carbon graphite parts and it benefits from an integrated pressure relief valve.

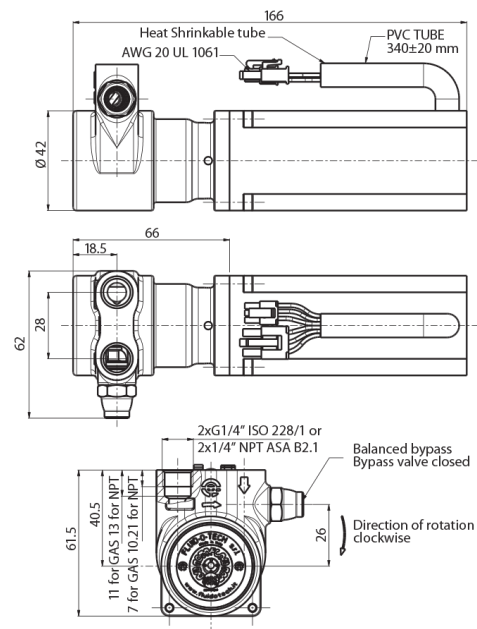
The use of food grade materials throughout the construction makes it the ideal choice for integration into a wide range of potable water installations.

SPECIFICATION

GA072 - 24 V D56 H102 BRUSH MOTOR (90-54-37)



GA102 - 24 V 42x100 mm BRUSHLESS MOTOR (90-93-02)



Dimensions in mm

| | | | |
|------------------------------|-----------------|--------------------------------|------------------|
| PUMP HOUSING MATERIAL | STAINLESS STEEL | MAX STATIC PRESSURE | 10 BAR / 145 PSI |
| PUMPING CHAMBER | CARBON GRAPHITE | PUMP WEIGHT (BRUSHLESS) | 1.42 kg |
| PORTS | 1/4" GAS OR NPT | PUMP WEIGHT (BRUSH) | 1.66 kg |
| SPEED LIMIT | 3000 RPM | | |



March May Ltd, Howard Road, Eaton Socon, St. Neots, Cambridgeshire, PE19 8NZ, UK

Tel: +44 (0) 1480 214444 Fax: +44 (0) 1480 405336 E-mail: sales@marchmay.co.uk Website: www.marchmay.co.uk

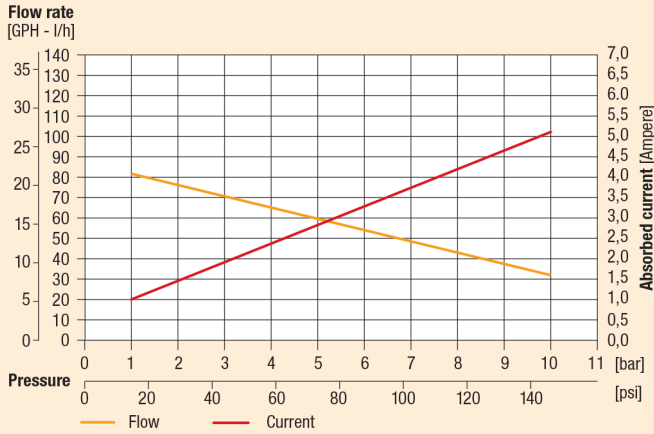
GA SERIES

MECHANICALLY SEALED, ROTARY VANE

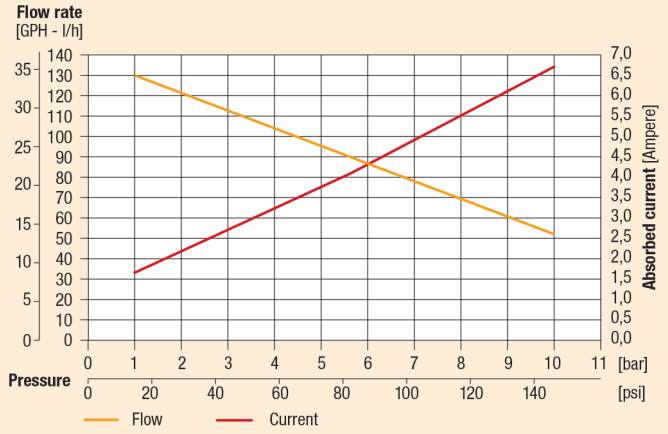


PERFORMANCE

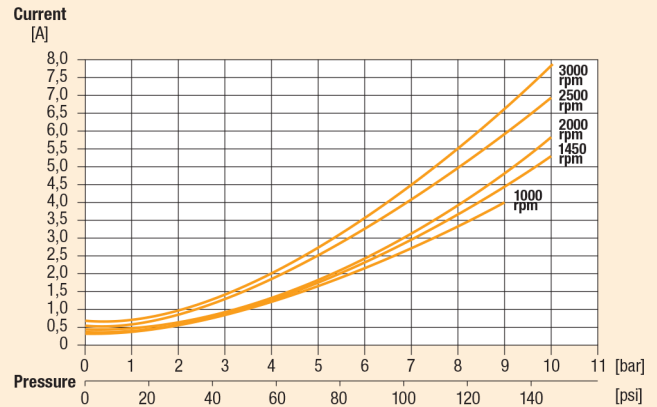
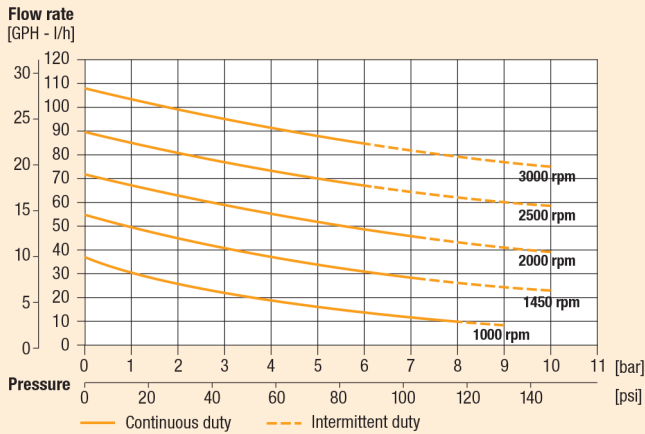
GA072 - 24 V D56 H102 BRUSH MOTOR (90-54-37)



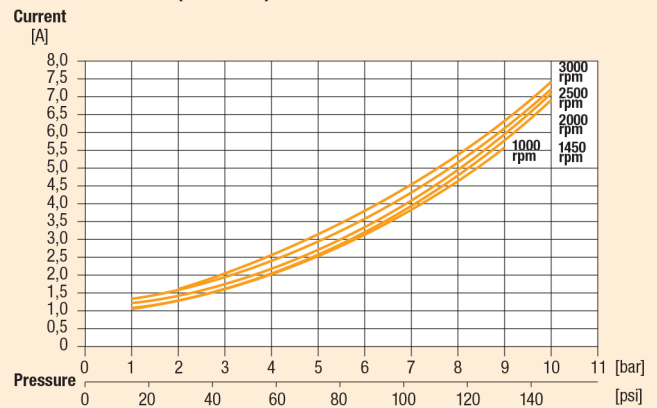
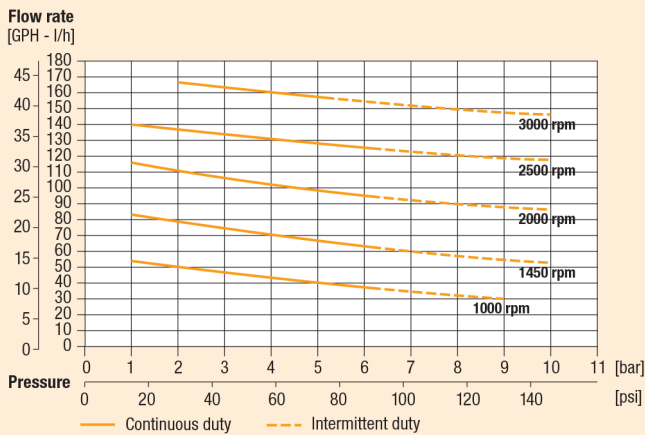
GA102 - 24 V D56 H102 BRUSH MOTOR (90-54-37)



GA072 - 24 V 42x100 mm BRUSHLESS MOTOR (90-93-02)



GA102 - 24 V 42x100 mm BRUSHLESS MOTOR (90-93-02)



Note: Hydraulic performances measured with 20 °C (68 F) water and bypass blocked.
For applications involving other fluids, high temperatures or unusual processing conditions consult the factory or an authorized Fluid-o-Tech distributor.



March May Ltd, Howard Road, Eaton Socon, St. Neots, Cambridgeshire, PE19 8NZ, UK

Tel: +44 (0) 1480 214444 Fax: +44 (0) 1480 405336 E-mail: sales@marchmay.co.uk Website: www.marchmay.co.uk