

MGCF03S/07S/028S

MECHANICAL SEAL, ROTARY VANE



The compact precision performance pumps MG or PG series are designed to fit high technology applications.

The magnet drive principle provides a totally sealed pump chamber which is capable of handling a wide range of corrosive fluids with a high degree of safety.

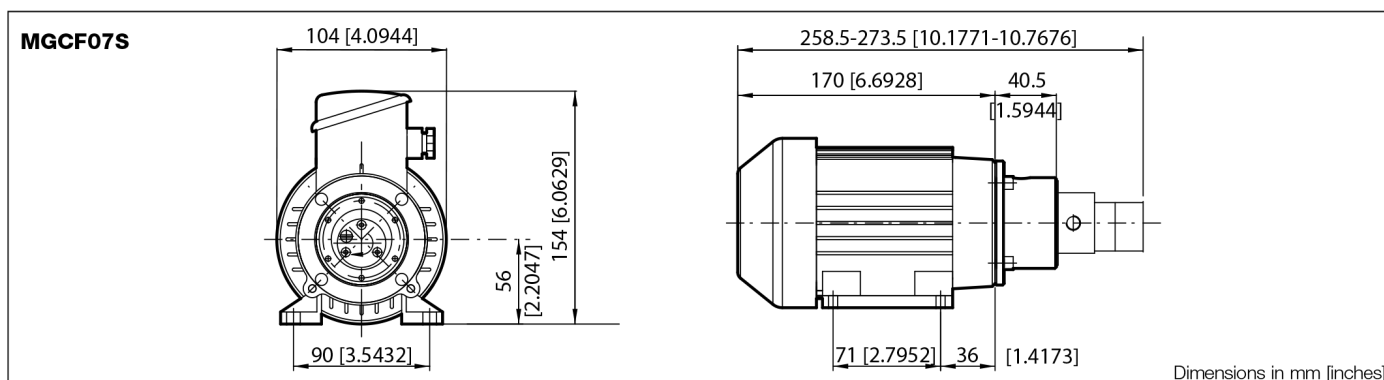
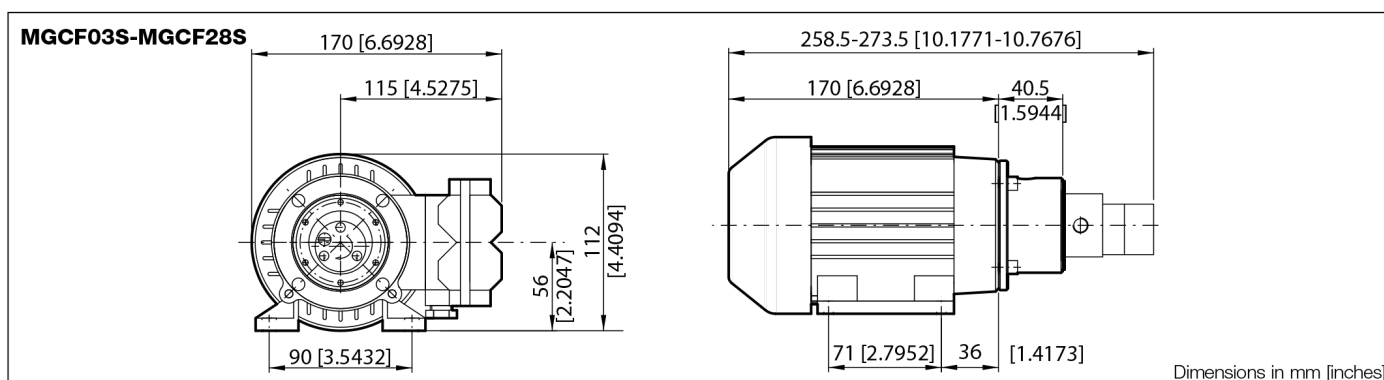
The pump housing is available in AISI 303, AISI 316L, SAF 2205 or PPS. In operation the MG or PG series pumps are noiseless, pulsation-free and capable of handling relatively high temperature liquids up to 120°C (248°F).

The coupling with the MGCF03S, MGCF07S and MGCF28S units designed for heavy duty, provides a reliable and noiseless operation in a compact size package.

The pole-to-pole alignment of the two magnets provides the driving motion to the pump. Decoupling will occur when the pump load exceeds the maximum coupling torque provided by the alignment of the two magnets.



SPECIFICATION



March May Ltd, Howard Road, Eaton Socon, St. Neots, Cambridgeshire, PE19 8NZ, UK

Tel: +44 (0) 1480 214444 Fax: +44 (0) 1480 405336 E-mail: sales@marchmay.co.uk Website: www.marchmay.co.uk

MGCF03S/07S/028S

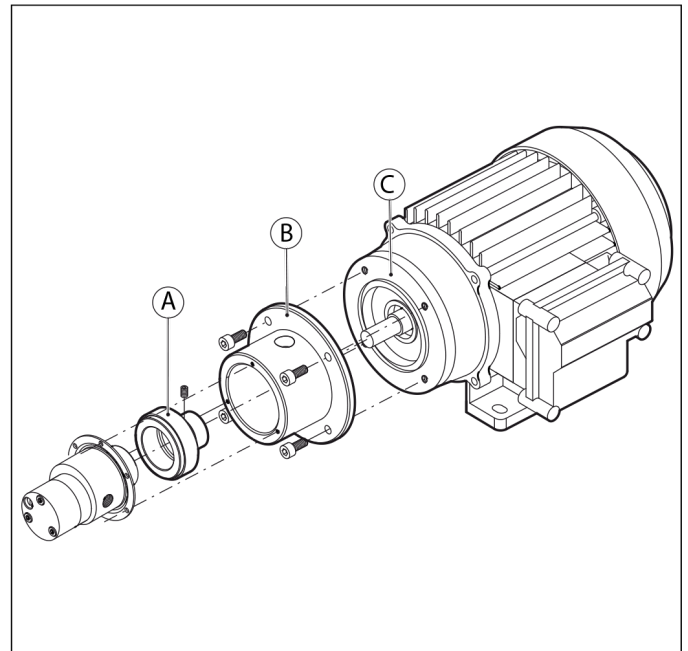


MECHANICALLY SEALED, ROTARY VANE

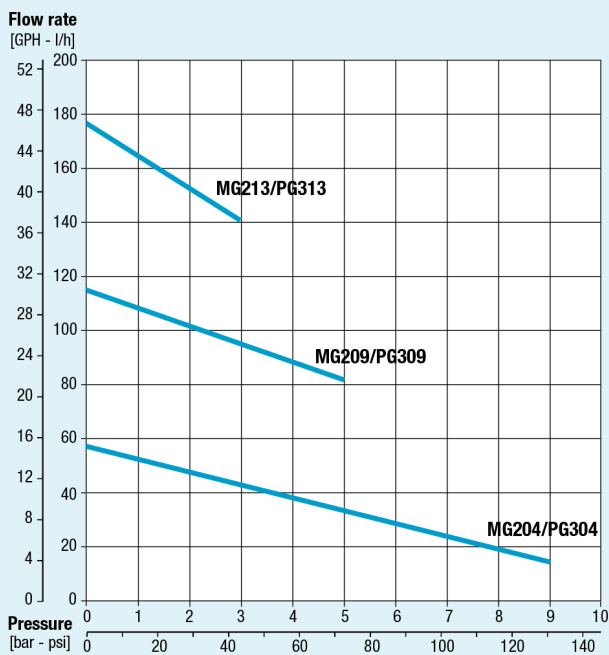
PERFORMANCE

POS	DESCRIPTION	FEATURES	CODE
A	Ferrite driving magnet	For 9 mm bore	MGAF09S
A+B	Complete adapter	For M56B14 motor	MGBF56S
A+B+C	Complete motor assembly	See table below	MGCF03S MGCF07S MGCF28S

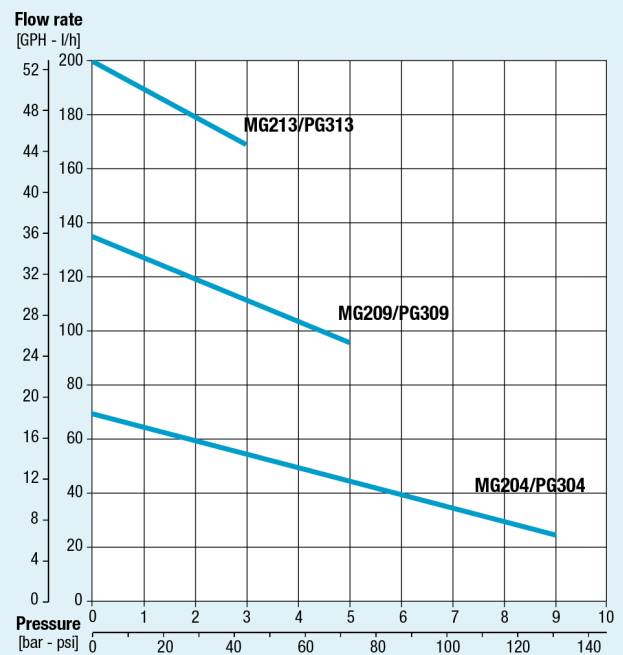
DRIVING UNIT	MGCF03S	MGCF07S	MGCF28S
Voltage (V)	230 AC Single Phase	230/400 AC Three Phase	110 AC Single Phase
Frequency (Hz)	50	50	60
Poles	2	2	2
Rated speed (rpm)	2610	2780	3550
Current consumption (A)	1.1	0.42	1.27
Output power (W)	110	130	110
Operation	Continuous	Continuous	Continuous
Weight (Kg)	3.3	3.3	3.5



MGCF03S-MGCF07S (50 Hz)



MGCF28S (60 Hz)



Note: Characteristics with water at 20 °C (68 F) and without relief valve. Fluids different from water must be validated by the Customer. Temperature requirements different from ambient temperature must be mentioned on the order. Different materials are available upon request. Use a filter before the pump inlet no larger than 10 micron



March May Ltd, Howard Road, Eaton Socon, St. Neots, Cambridgeshire, PE19 8NZ, UK

Tel: +44 (0) 1480 214444 Fax: +44 (0) 1480 405336 E-mail: sales@marchmay.co.uk Website: www.marchmay.co.uk