

MGCF04S-11S SERIES



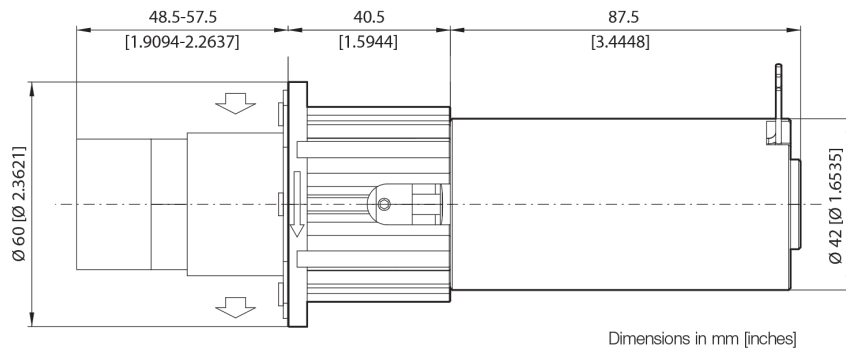
MAGNETICALLY DRIVEN, EXTERNAL GEAR



The compact precision performance pumps MG or PG series are designed to fit high technology applications. The magnet drive principle provides a totally sealed pump chamber which is capable of handling a wide range of corrosive fluids with a high degree of safety. The pump housing is available in AISI 316L, SAF 2205, AISI 303 or PPS. In operation the MG and PG series pumps are noiseless, pulsation-free and capable of handling relatively high temperature liquids up to 120°C.

The coupling with MGCF04S, MGCF11S units designed for heavy duty, provides a reliable and noiseless operation in a compact size package. The pole-to-pole alignment of the two magnets provides the driving motion to the pump. Decoupling will occur when the pump load exceeds the coupling torque between the magnets.

SPECIFICATION



FEATURES

Temp:	See table below
Pressure:	Max 20 Bar
Inlet:	1/8" GAS / NPT
Outlet:	1/8" GAS / NPT

WETTED MATERIALS

Pump Housing:	Stainless Steel
Gears:	PEEK / PTFE
Bushings:	PEEK / PTFE

Notes: Maximum wet lift with water = Approx. 8m

	MINIMUM TEMPERATURE	MAXIMUM TEMPERATURE
PEEK	-45°C	120°C
CERAMIC PEEK	-45°C	120°C
PTFE	-45°C	50°C



March May Ltd, Howard Road, Eaton Socon, St. Neots, Cambridgeshire, PE19 8NZ, UK

Tel: +44 (0) 1480 214444 Fax: +44 (0) 1480 405336 E-mail: sales@marchmay.co.uk Website: www.marchmay.co.uk

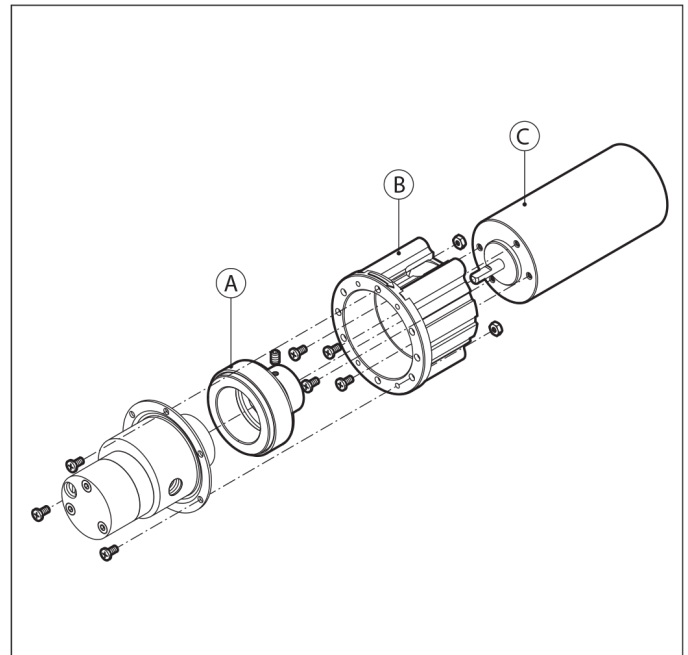
MGCF04S-11S SERIES



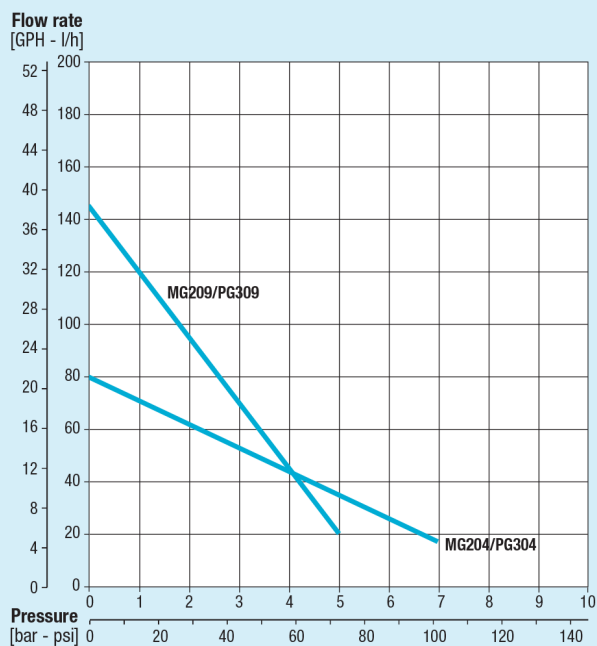
MAGNETICALLY DRIVEN, EXTERNAL GEAR

POS	DESCRIPTION	FEATURES	CODE
A	Driving magnet	For 5 mm bore	MGAF05S
A+B	Complete adapter	For KAG M42x30	MGBF42S
A+B+C	Complete motor assembly	See table below	MGCF04S MGCF11S

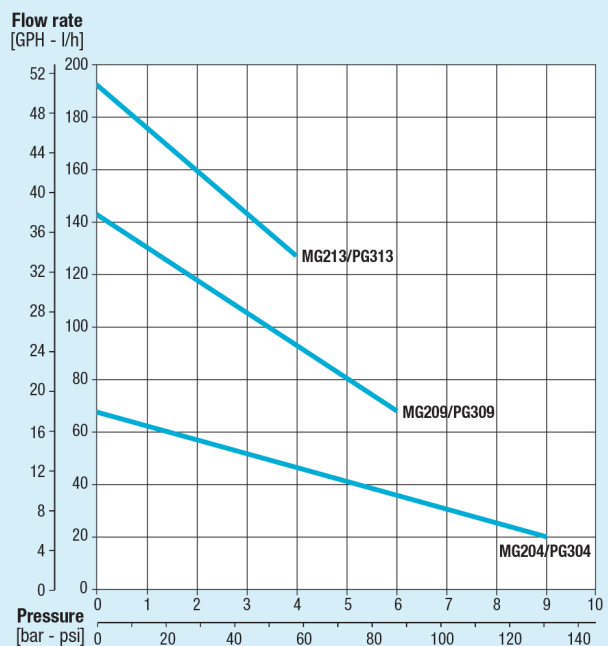
DRIVING UNIT	MGCF04S	MGCF11S
Voltage (V)	12 DC	24 DC
Rated speed (rpm)	3300	3000
Current consumption (A)	3.4	1.5
Output power (W)	25.9	23.6
Weight (g)	700	700



MGCF04S



MGCF11S



Note: Characteristics with water at 20 °C (68 F) and without relief valve. Fluids different from water must be validated by the Customer. Temperature requirements different from ambient temperature must be mentioned on the order. Different materials are available upon request. Use a filter before the pump inlet no larger than 10 micron



March May Ltd, Howard Road, Eaton Socon, St. Neots, Cambridgeshire, PE19 8NZ, UK

Tel: +44 (0) 1480 214444 Fax: +44 (0) 1480 405336 E-mail: sales@marchmay.co.uk Website: www.marchmay.co.uk