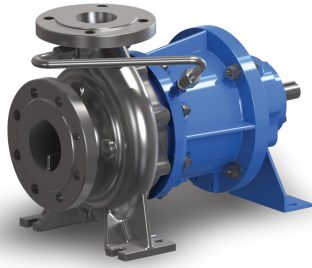


# NDM 10X8X16



MAGNETICALLY DRIVEN, SINGLE-STAGE CENTRIFUGAL



- ☑ Stainless Steel Centrifugal Pump
- ☑ Up to 140m<sup>3</sup>/h (2'334l/min) flow
- ☑ Up to 40m head
- ☑ Available with flanged connections
- ☑ Stainless Steel Construction
- ☑ On request in Incoloy 825 and Hastelloy C

## SPECIFICATION

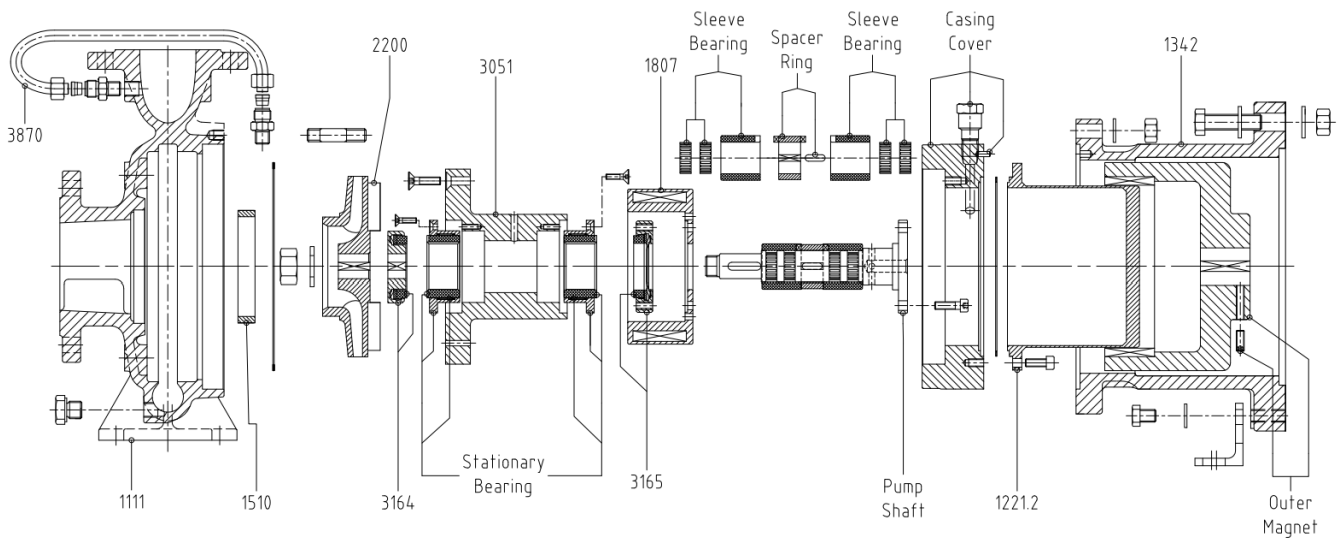
### FEATURES

Temp:	Max 300°C
Pressure:	16 Bar (System)
Connections:	PN16 Flange ANSI 150 Flange

### WETTED MATERIALS

Front Cover:	ASTM CF8M
O Ring:	AF 400
Impeller:	ASTM CF8M
Shaft / Thrust Brg:	SiC / AISI 316
Bearings:	SiC
Rear Housing:	HC 276 / AISI 316L

## SPARES



REF	DESCRIPTION	MATERIAL	REF	DESCRIPTION	MATERIAL
1111	Pump Casing	ASTM CF8M	2200	Impeller	ASTM CF8M
1221.2	Rear Casing	HC 276 / AISI 316L	3051	Pump Shaft Housing	AISI 316
1342	Bracket	ASTM A45 cl 30	3164	Rear Thrust Bearing	SiC / AISI 316
1510	Casing Wear Ring	AISI 316	3165	Front Thrust Bearing	SiC / AISI 316
1807	Inner Magnet	CoSm / AISI 316L	3870	Flushing Pipe	AISI 316



March May Ltd, Howard Road, Eaton Socon, St. Neots, Cambridgeshire, PE19 8NZ, UK

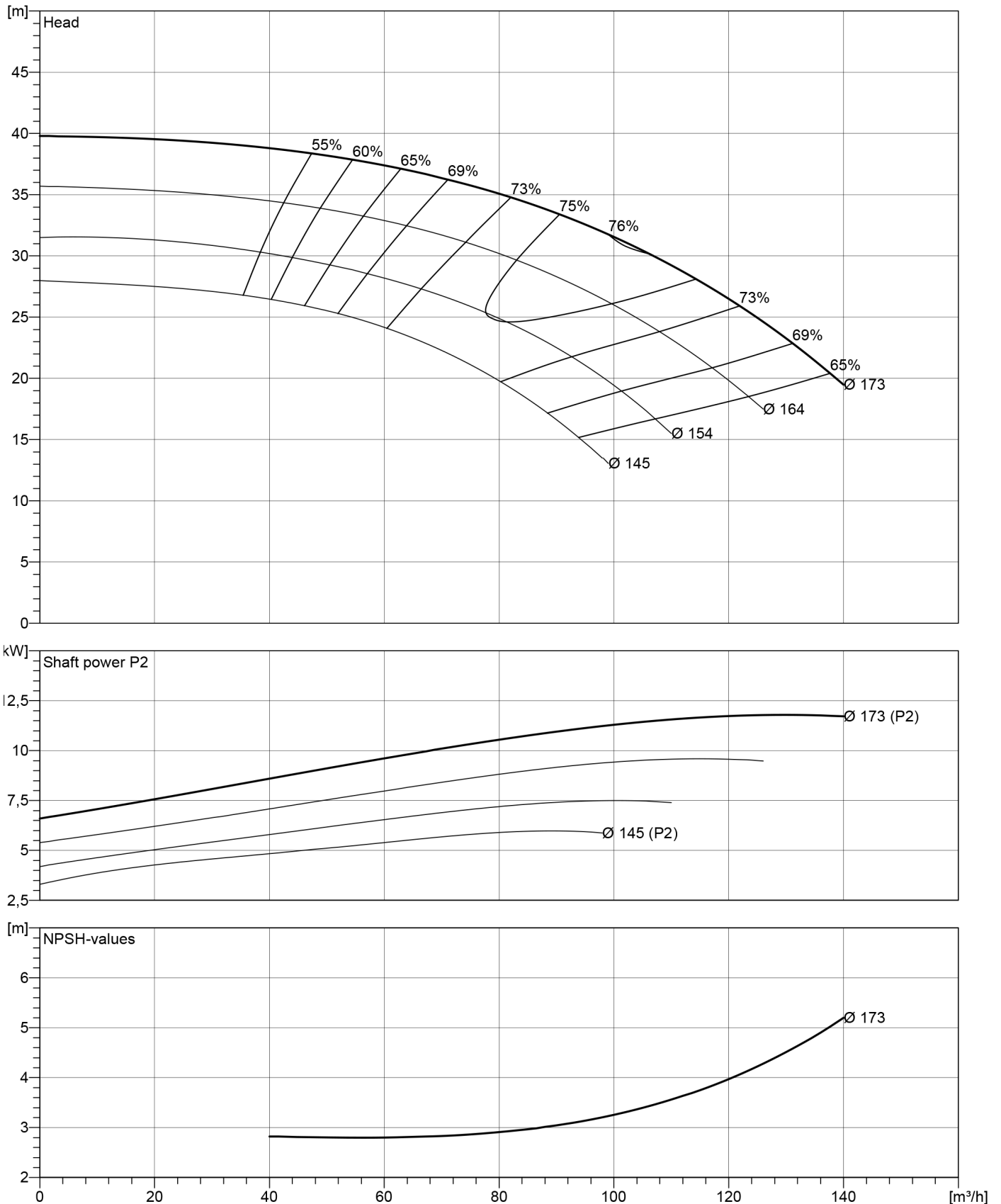
Tel: +44 (0) 1480 214444 Fax: +44 (0) 1480 405336 E-mail: sales@marchmay.co.uk Website: www.marchmay.co.uk

# NDM 10X8X16



MAGNETICALLY DRIVEN, SINGLE-STAGE CENTRIFUGAL

## PERFORMANCE



March May Ltd, Howard Road, Eaton Socon, St. Neots, Cambridgeshire, PE19 8NZ, UK

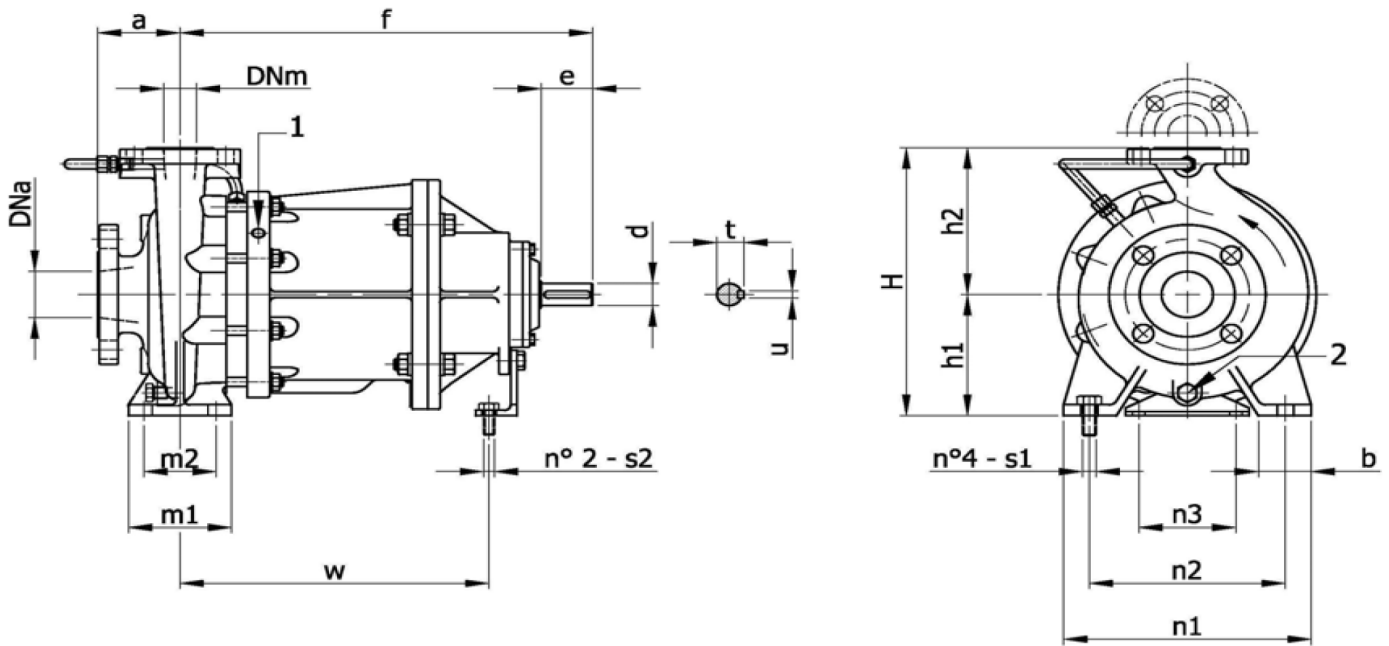
Tel: +44 (0) 1480 214444 Fax: +44 (0) 1480 405336 E-mail: sales@marchmay.co.uk Website: www.marchmay.co.uk

# NDM 10X8X16



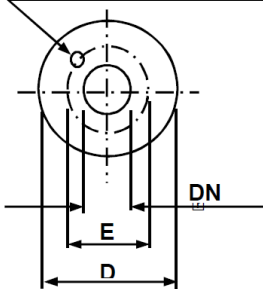
MAGNETICALLY DRIVEN, SINGLE-STAGE CENTRIFUGAL

## FLANGED DIMENSIONS



MODEL	DNa mm	DNm mm	a	h1	h2	H	b	m1	m2	n1	n2	s1	n3	s2	f	w	d	e	t	u
5x3x25	50	32	100	180	225	405	65	125	95	320	250	M12	110	M12	500	370	32	80	35	10
6x4x25	65	40	100	180	225	405	65	125	95	320	250	M12	110	M12	500	370	32	80	35	10
8x5x25	80	50	100	180	225	405	65	125	95	320	250	M12	110	M12	500	370	32	80	35	10
10x8x16	100	80	100	160	200	360	65	125	95	280	212	M12	110	M12	500	370	32	80	35	10
10x6x20	100	65	100	180	225	405	65	125	95	320	250	M12	110	M12	500	370	32	80	35	10
10x6x25	100	65	125	200	250	450	80	160	120	360	280	M16	110	M12	500	370	32	80	35	10
12x8x16	125	80	125	180	225	405	65	125	95	320	250	M12	110	M12	500	370	32	80	35	10
12x8x20	125	80	125	180	250	430	65	125	95	345	280	M12	110	M12	500	370	32	80	35	10
12x8x25	125	80	125	225	280	505	80	160	120	400	315	M16	110	M12	500	370	32	80	35	10
12x10x20	125	100	125	200	280	480	80	160	120	360	360	M16	110	M12	500	370	32	80	35	10

N° F fori-holes-trous  $\phi$  G



DN	UNI PN 16			
	D	E	F	G
32	140	100	4	18
40	150	110	4	18
50	165	125	4	18
65	185	145	4	18
80	200	160	8	18
100	220	180	8	18
125	250	210	8	18

Ø	ANSI 150 RF			
	D	E	F	G
1 1/4" (32)	117	90	4	16
1 1/2" (40)	127	98.5	4	16
2" (50)	152	120.5	4	20
2 1/2" (65)	178	139.5	4	20
3" (80)	191	152.5	4	20
4" (100)	229	190.5	8	20
5" (125)	254	215.9	8	22



March May Ltd, Howard Road, Eaton Socon, St. Neots, Cambridgeshire, PE19 8NZ, UK

Tel: +44 (0) 1480 214444 Fax: +44 (0) 1480 405336 E-mail: sales@marchmay.co.uk Website: www.marchmay.co.uk