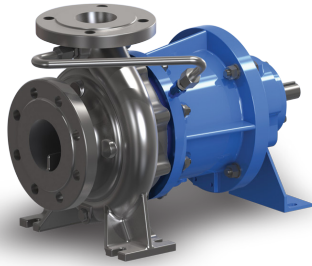


# NDM 5X3X20



MAGNETICALLY DRIVEN, SINGLE-STAGE CENTRIFUGAL



- ☑ Stainless Steel Centrifugal Pump
- ☑ Up to 32.5m<sup>3</sup>/h (542l/min) flow
- ☑ Up to 60m head
- ☑ Available with flanged connections
- ☑ Stainless Steel Construction
- ☑ On request in Incoloy 825 and Hastelloy C

## SPECIFICATION

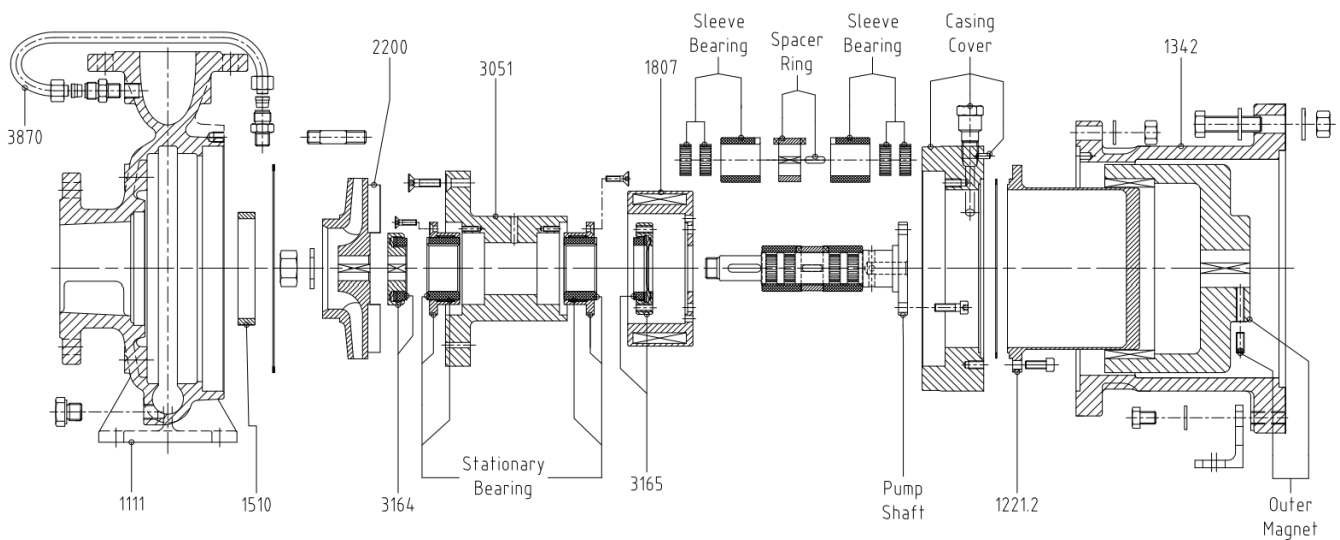
### FEATURES

Temp:	Max 300°C
Pressure:	16 Bar (System)
Connections:	PN16 Flange ANSI 150 Flange

### WETTED MATERIALS

Front Cover:	ASTM CF8M
O Ring:	AF 400
Impeller:	ASTM CF8M
Shaft / Thrust Brg:	SiC / AISI 316
Bearings:	SiC
Rear Housing:	HC 276 / AISI 316L

## SPARES



REF	DESCRIPTION	MATERIAL	REF	DESCRIPTION	MATERIAL
1111	Pump Casing	ASTM CF8M	2200	Impeller	ASTM CF8M
1221.2	Rear Casing	HC 276 / AISI 316L	3051	Pump Shaft Housing	AISI 316
1342	Bracket	ASTM A45 cl 30	3164	Rear Thrust Bearing	SiC / AISI 316
1510	Casing Wear Ring	AISI 316	3165	Front Thrust Bearing	SiC / AISI 316
1807	Inner Magnet	CoSm / AISI 316L	3870	Flushing Pipe	AISI 316



March May Ltd, Howard Road, Eaton Socon, St. Neots, Cambridgeshire, PE19 8NZ, UK

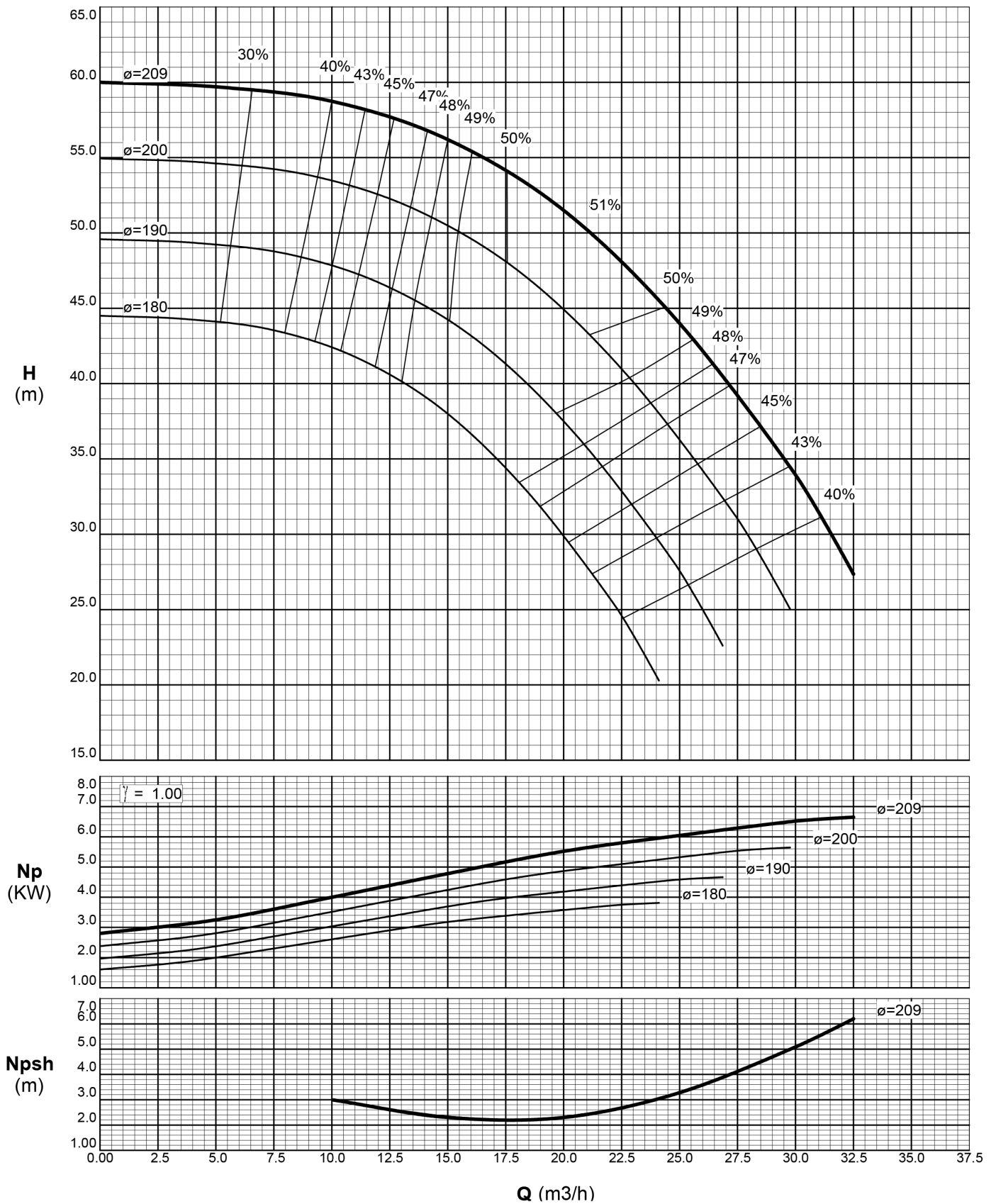
Tel: +44 (0) 1480 214444 Fax: +44 (0) 1480 405336 E-mail: sales@marchmay.co.uk Website: www.marchmay.co.uk

# NDM 5X3X20



MAGNETICALLY DRIVEN, SINGLE-STAGE CENTRIFUGAL

## PERFORMANCE



March May Ltd, Howard Road, Eaton Socon, St. Neots, Cambridgeshire, PE19 8NZ, UK

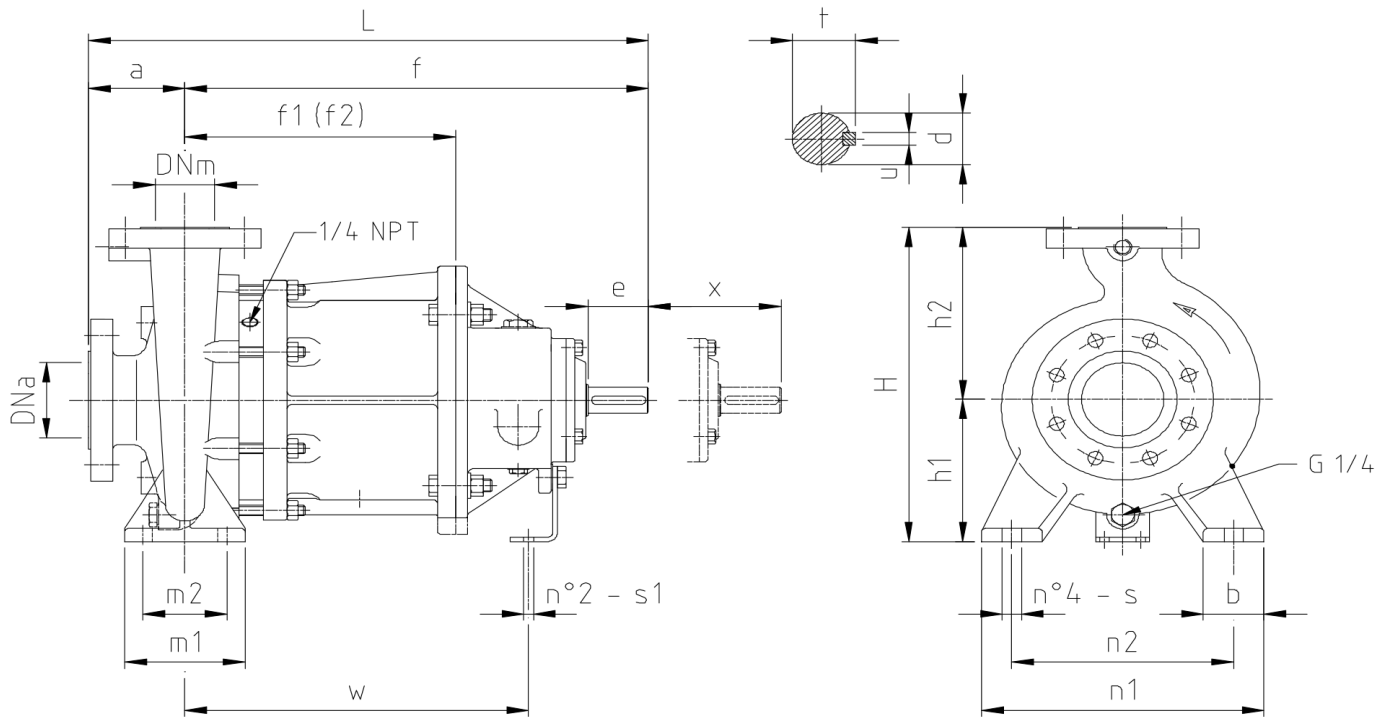
Tel: +44 (0) 1480 214444 Fax: +44 (0) 1480 405336 E-mail: sales@marchmay.co.uk Website: www.marchmay.co.uk

# NDM 5X3X20



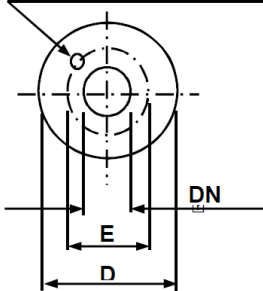
MAGNETICALLY DRIVEN, SINGLE-STAGE CENTRIFUGAL

## FLANGED DIMENSIONS



MODEL	DNa mm	DNm mm	a	h1	h2	H	b	m1	m2	n1	n2	s	s1	w	f1	(f2)	f	L
5x3x12	50	32	80	112	140	252	50	100	70	190	140	M12	M12	285	225	245	385	465
5x3x16	50	32	80	132	160	292	50	100	70	240	190	M12	M12	285	225	245	385	465
5x3x20	50	32	80	160	180	340	50	100	70	240	190	M12	M12	285	225	245	385	465
6x5x12	65	50	80	112	140	252	50	100	70	210	160	M12	M12	285	225	245	385	465
6x5x16	65	50	80	132	160	292	50	100	70	240	190	M12	M12	285	225	245	385	465
6x4x20	65	40	100	160	180	340	50	100	70	265	212	M12	M12	285	225	245	385	465
8x6x12	80	65	100	132	160	292	50	100	70	240	190	M12	M12	285	225	245	385	465
8x6x16	80	65	100	160	180	340	50	100	70	265	212	M12	M12	285	225	245	385	465
8x5x20	80	50	100	160	200	360	50	100	70	265	212	M12	M12	285	225	245	385	465
10x8x12	100	80	100	180	225	405	65	125	95	280	250	M12	M12	285	225	245	385	465

N° F fori-holes-trous  $\phi$  G



DN	UNI PN 16			
	D	E	F	G
32	140	100	4	18
40	150	110	4	18
50	165	125	4	18
65	185	145	4	18
80	200	160	8	18
100	220	180	8	18

$\emptyset$	ANSI 150 RF			
	D	E	F	G
32	117	90	4	16
40	127	98.5	4	16
50	152	120.5	4	20
65	178	139.5	4	20
80	191	152.5	4	20
100	229	190.5	8	20



March May Ltd, Howard Road, Eaton Socon, St. Neots, Cambridgeshire, PE19 8NZ, UK

Tel: +44 (0) 1480 214444 Fax: +44 (0) 1480 405336 E-mail: sales@marchmay.co.uk Website: www.marchmay.co.uk