

# NH-100PX-X-N

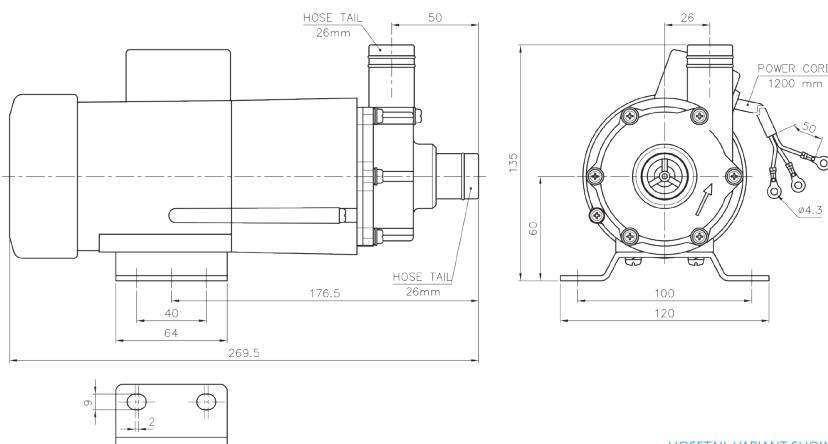


MAGNETICALLY DRIVEN, SINGLE-STAGE CENTRIFUGAL



- ☑ Up to 70l/min flow
- ☑ Up to 3m head
- ☑ Available with hose or threaded connections
- ☑ Compact
- ☑ Integrated Motor (110v or 230v)

## SPECIFICATION



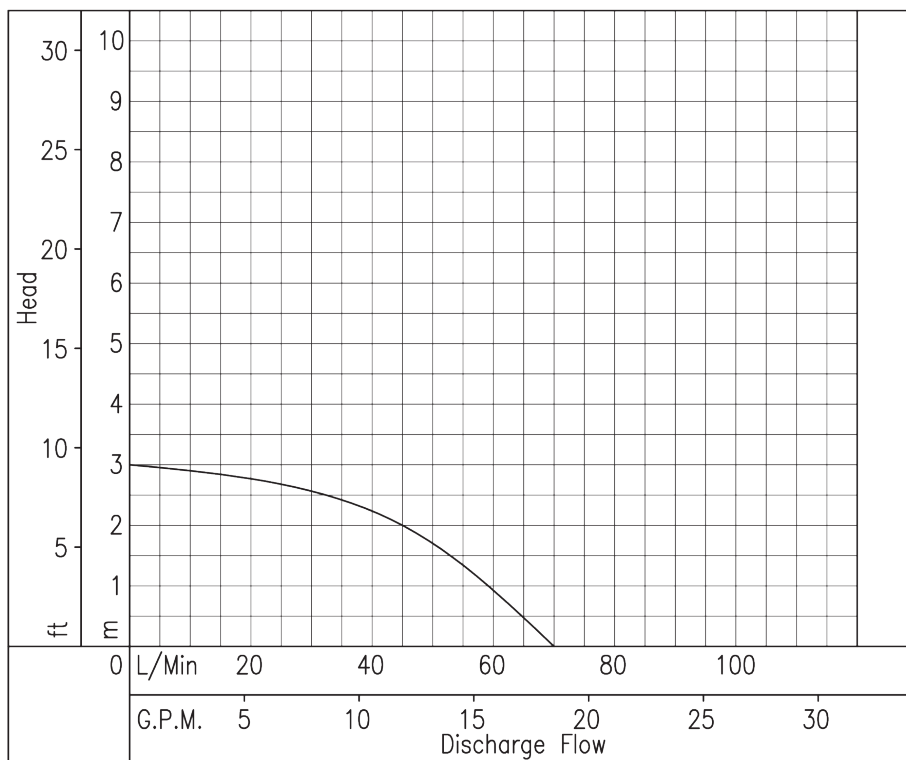
## FEATURES

Temp: Max 80°C  
 Pressure: 0.6 Bar (System)  
 Connections: 26mm or 3/4" Gas

## WETTED MATERIALS

Front Cover: PVDF  
 O Ring: Viton  
 Impeller: PVDF  
 Shaft: Ceramic SiC  
 Thrust Washer: Teflon Sic  
 Rear Housing: PVDF

## PERFORMANCE



March May Ltd, Howard Road, Eaton Socon, St. Neots, Cambridgeshire, PE19 8NZ, UK

Tel: +44 (0) 1480 214444 Fax: +44 (0) 1480 405336 E-mail: sales@marchmay.co.uk Website: www.marchmay.co.uk