

NH-200PS-F

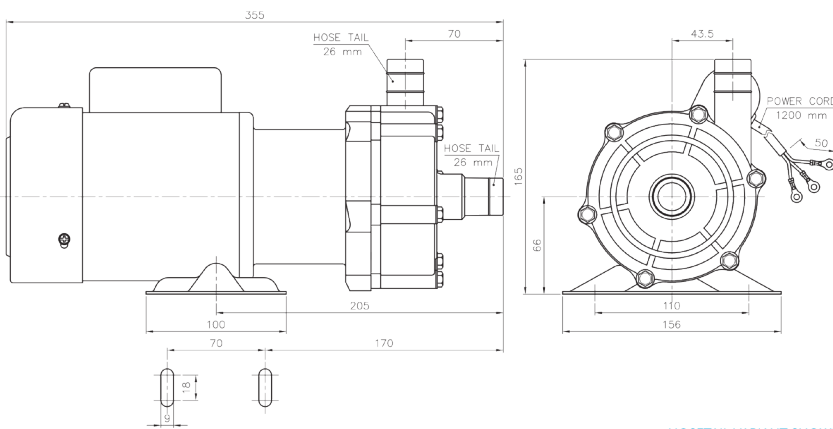


MAGNETICALLY DRIVEN, SINGLE-STAGE CENTRIFUGAL



- ☑ Up to 95l/min flow
- ☑ Up to 11m head
- ☑ ETFE build for higher chemical compatibility and fluid temperature
- ☑ Available with hose, threaded or Flange connections
- ☑ Compact
- ☑ Integrated Motor (110v, 230v, or 400V)

SPECIFICATION



HOSETAIL VARIANT SHOWN

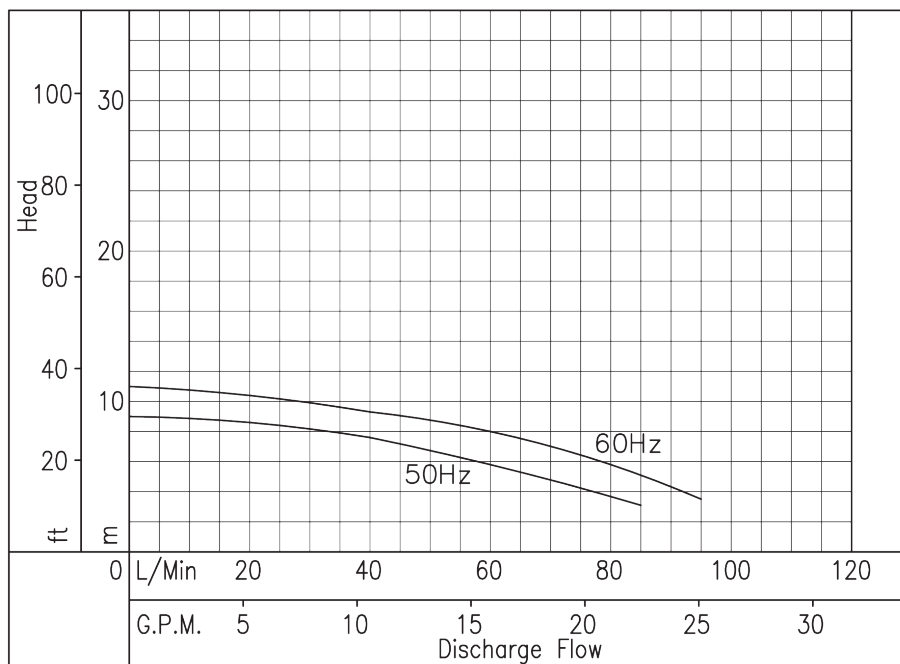
FEATURES

Temp:	Max 90°C
Pressure:	1.2 Bar (System)
Connections:	26mm, 1" Gas, or 25A

WETTED MATERIALS

Front Cover:	ETFE
O Ring:	Viton
Impeller:	ETFE
Shaft:	316 SS
Thrust Washer:	Ceramic
Rear Housing:	ETFE

PERFORMANCE



March May Ltd, Howard Road, Eaton Socon, St. Neots, Cambridgeshire, PE19 8NZ, UK

Tel: +44 (0) 1480 214444 Fax: +44 (0) 1480 405336 E-mail: sales@marchmay.co.uk Website: www.marchmay.co.uk