

NH-403PW-K

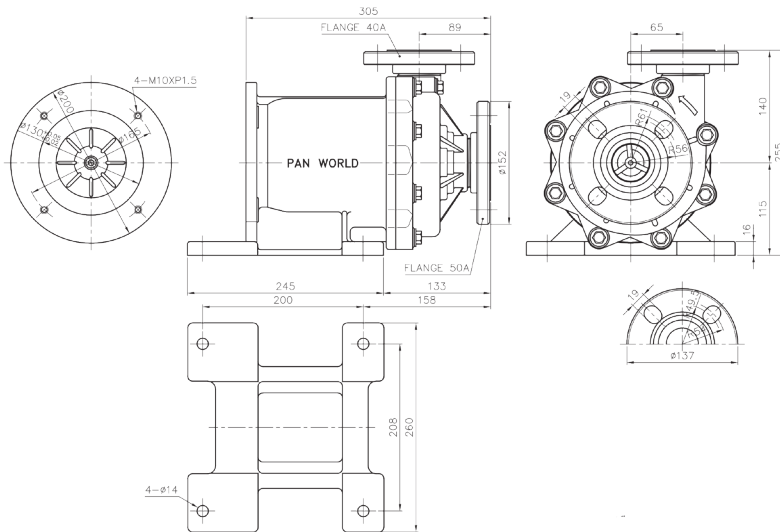


MAGNETICALLY DRIVEN, SINGLE-STAGE CENTRIFUGAL



- ☑ Up to 530l/min flow
- ☑ Up to 25m head
- ☑ Available with Threaded or Flange connections
- ☑ Easy Maintenance
- ☑ Long operating lifespan

SPECIFICATION



FLANGED VARIANT SHOWN

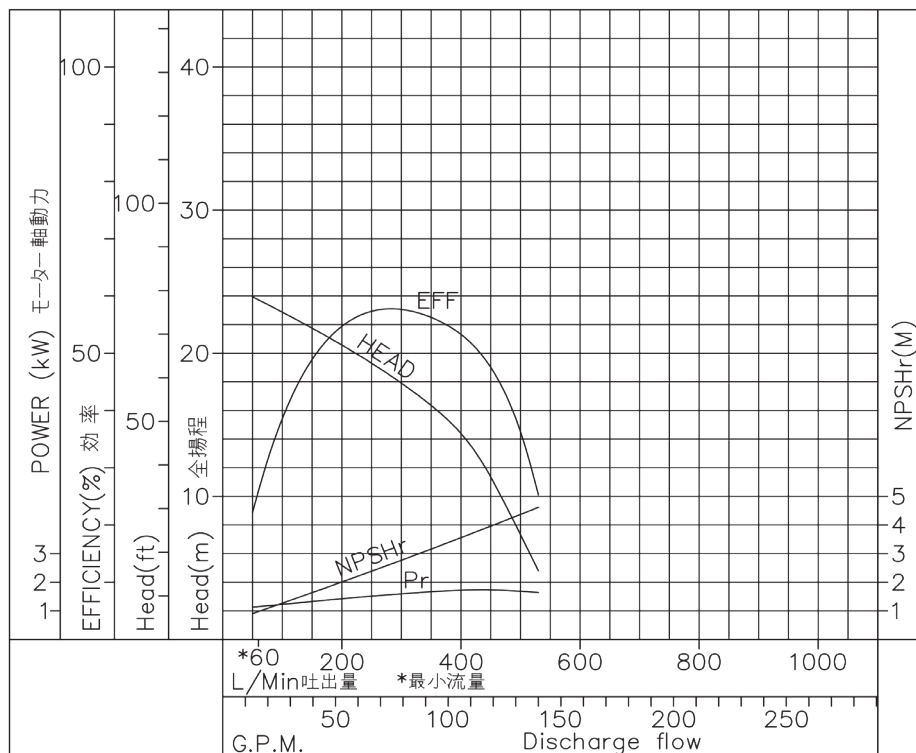
FEATURES

Temp: Max 80°C
 Pressure: 3.7 Bar (System)
 Connections: 1 1/2" x 2" Gas
 40A x 50A

WETTED MATERIALS

Front Cover: ETFE
 O Ring: Viton
 Impeller: ETFE
 Shaft: Ceramic
 Thrust Washer: Ceramic
 Rear Housing: ETFE

PERFORMANCE



S.G: 1.2
 IMPELLER SIZE
 139.5MM



March May Ltd, Howard Road, Eaton Socon, St. Neots, Cambridgeshire, PE19 8NZ, UK

Tel: +44 (0) 1480 214444 Fax: +44 (0) 1480 405336 E-mail: sales@marchmay.co.uk Website: www.marchmay.co.uk