

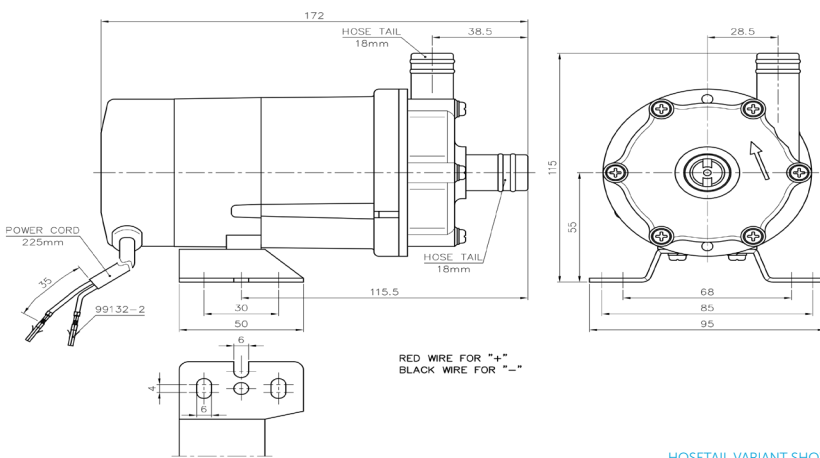
NH-40PX-D

MAGNETICALLY DRIVEN, SINGLE-STAGE CENTRIFUGAL



- ☑ Up to 30l/min flow
- ☑ Up to 3.9m head
- ☑ Available with hose or threaded connections
- ☑ Compact
- ☑ Integrated DC Motor (12V or 24V)

SPECIFICATION



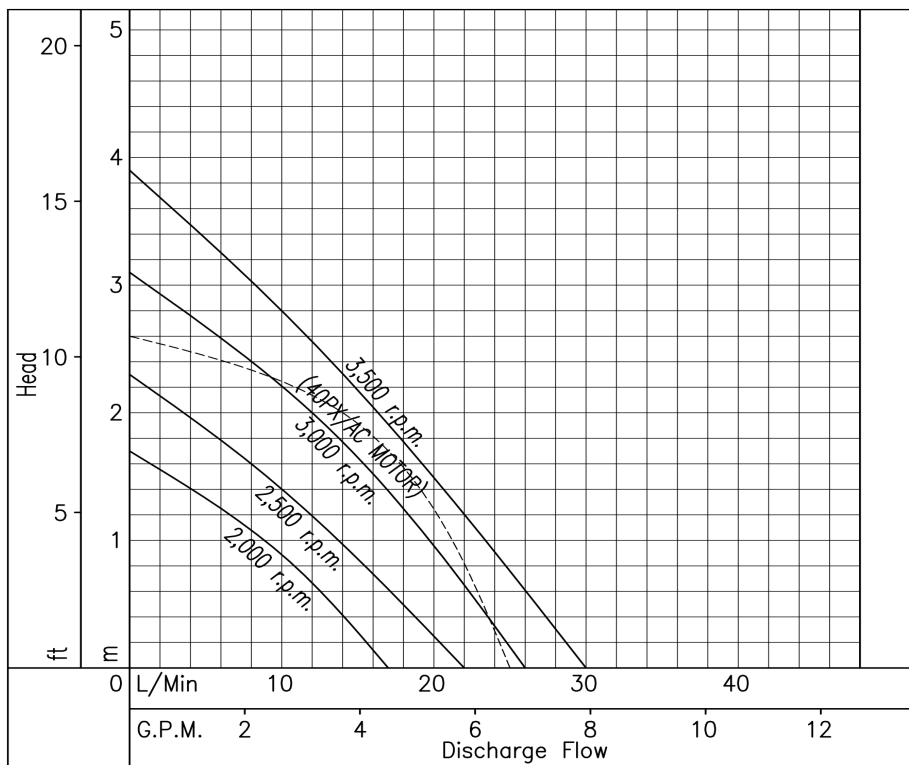
FEATURES

Temp:	Max 70°C
Pressure:	0.71 Bar (System)
Connections:	18mm or 3/4" Gas

WETTED MATERIALS

Front Cover:	Polypropylene
O Ring:	Viton
Impeller:	Polypropylene
Shaft:	Ceramic
Thrust Washer:	Polyethylene
Rear Housing:	Polypropylene

PERFORMANCE



March May Ltd, Howard Road, Eaton Socon, St. Neots, Cambridgeshire, PE19 8NZ, UK

Tel: +44 (0) 1480 214444 Fax: +44 (0) 1480 405336 E-mail: sales@marchmay.co.uk Website: www.marchmay.co.uk