

# NH-50PX-X-F

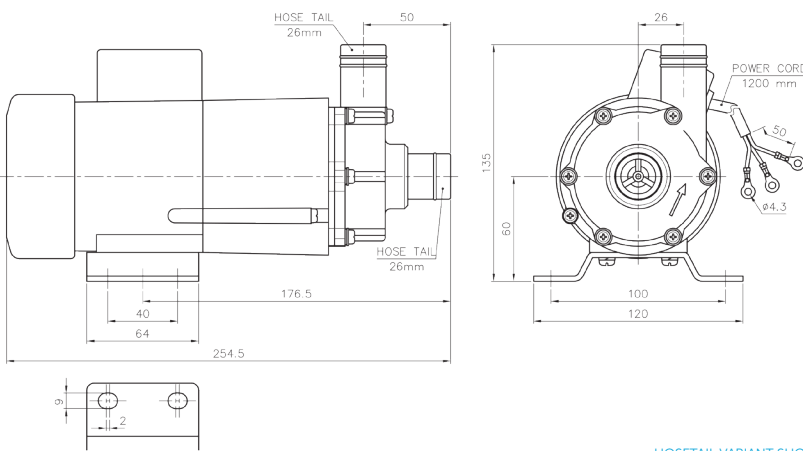


MAGNETICALLY DRIVEN, SINGLE-STAGE CENTRIFUGAL



- ☑ Up to 55l/min flow
- ☑ Up to 2.8m head
- ☑ Available with hose or threaded connections
- ☑ Compact
- ☑ Integrated Motor (110v or 230v)

## SPECIFICATION



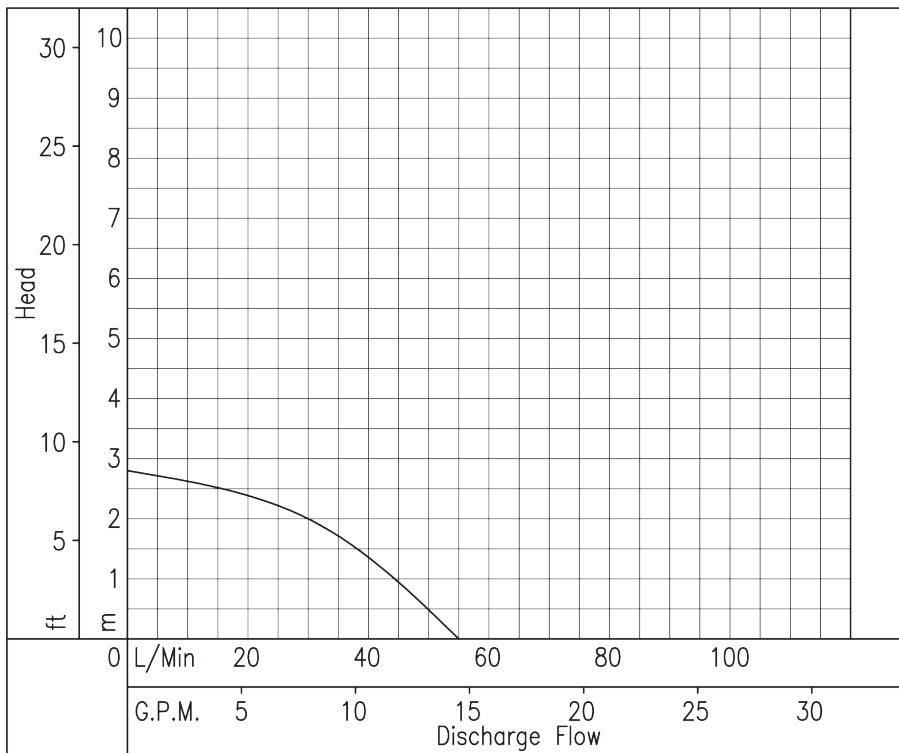
## FEATURES

Temp:	Max 90°C
Pressure:	0.6 Bar (System)
Connections:	26mm or 1" Gas

## WETTED MATERIALS

Front Cover:	ETFE
O Ring:	Viton
Impeller:	ETFE
Shaft:	Ceramic SiC
Thrust Washer:	Teflon Sic
Rear Housing:	ETFE

## PERFORMANCE



March May Ltd, Howard Road, Eaton Socon, St. Neots, Cambridgeshire, PE19 8NZ, UK

Tel: +44 (0) 1480 214444 Fax: +44 (0) 1480 405336 E-mail: sales@marchmay.co.uk Website: www.marchmay.co.uk